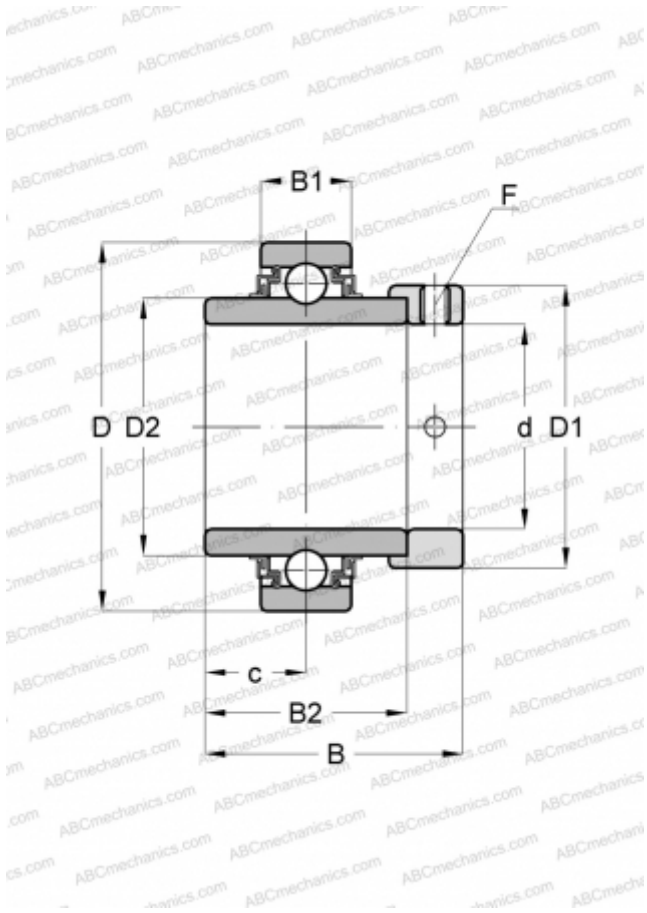


E45-KLL INA

Insert bearings

TYPE: Ball bearings, Radial insert bearings, With eccentric locking collar, Cylindrical outer ring, Series E..-KLL(INA), seals on both side



Technical specification

DIMENSIONS, MM

| | |
|----|--------|
| d | 45,000 |
| D | 85,000 |
| D1 | 63,000 |
| D2 | 57,900 |
| B | 56,500 |
| B1 | 22,000 |
| B2 | 42,900 |
| c | 21,400 |
| F | 5 |

WEIGHT, KG

0,850

MANUFACTURER

[INA](#)

REPLACES

E45-XL-KLL