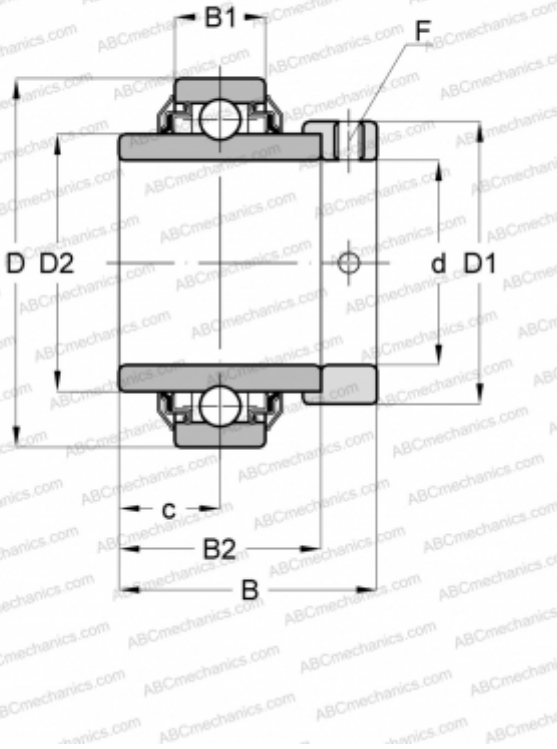


E60-KRR INA

Insert bearings

TYPE: Ball bearings, Radial insert bearings, With eccentric locking collar, Cylindrical outer ring, Series E..-KRR(INA), seals on both side



Technical specification

DIMENSIONS, MM

d	60,000
D	110,000
D1	84,000
D2	76,500
B	77,900
B1	24,000
B2	61,900
c	31,000
F	5

WEIGHT, KG

1,820

MANUFACTURER

[INA](#)

REPLACES

E60-XL-KRR