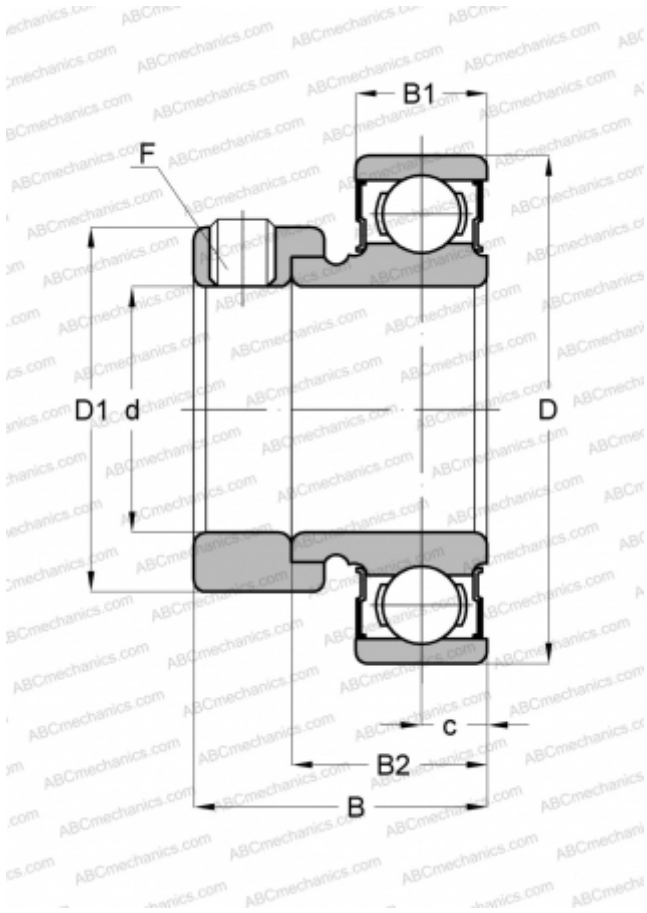


KHR 202 AE ASAHI

Insert bearings

TYPE: Ball bearings, Radial insert bearings, With eccentric locking collar, Cylindrical outer ring, Series KHR, seals on both side



Technical specification

DIMENSIONS, MM

d	15,000
D	40,000
D1	28,600
B	28,600
B1	12,000
B2	19,100
c	6,500
F	M6 x 0.75

WEIGHT, KG

0,110

MANUFACTURER

[ASAHI](#)