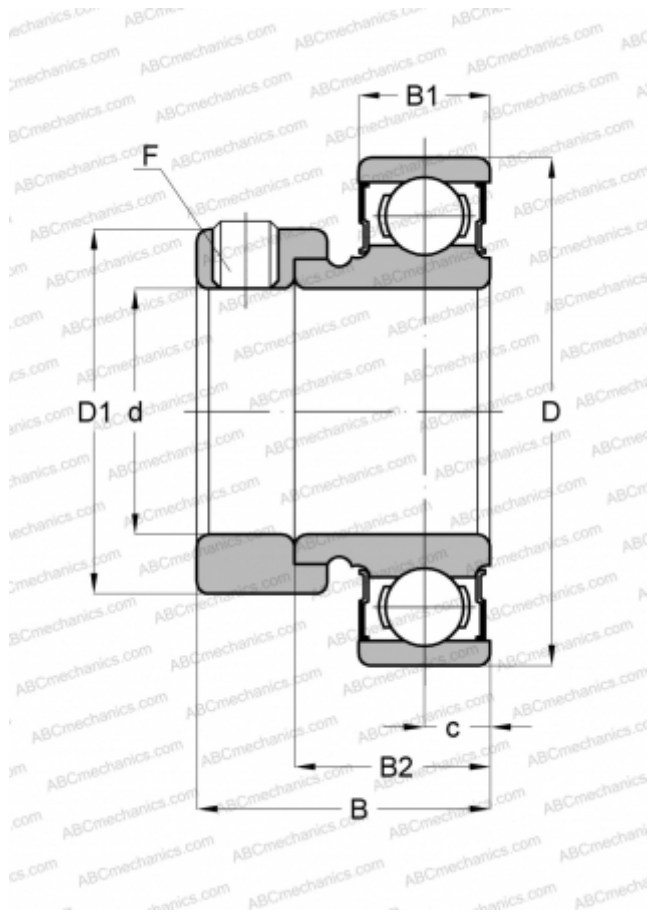


## KHR 204 AE ASAHI

Insert bearings

TYPE: Ball bearings, Radial insert bearings, With eccentric locking collar, Cylindrical outer ring, Series KHR, seals on both side



### Technical specification

#### DIMENSIONS, MM

|    |          |
|----|----------|
| d  | 20,000   |
| D  | 47,000   |
| D1 | 33,300   |
| B  | 31,000   |
| B1 | 14,000   |
| B2 | 21,500   |
| c  | 7,500    |
| F  | M6 x 075 |

#### WEIGHT, KG

0,160

#### MANUFACTURER

[ASAHI](#)