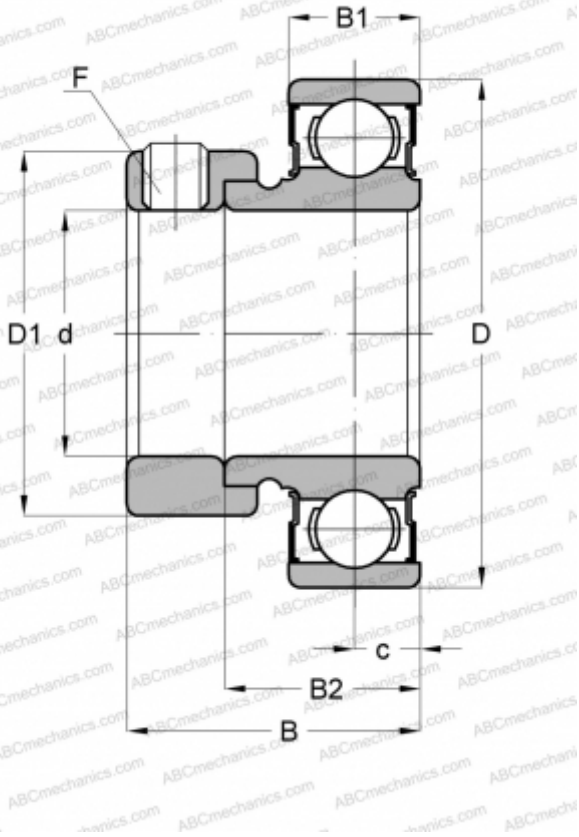


## KHR 206 AE ASAHI

Insert bearings

TYPE: Ball bearings, Radial insert bearings, With eccentric locking collar, Cylindrical outer ring, Series KHR, seals on both side



### Technical specification

#### DIMENSIONS, MM

d	30,000
D	62,000
D1	44,500
B	35,700
B1	16,000
B2	23,800
c	9,000
F	M8 x 1

#### WEIGHT, KG

0,310

#### MANUFACTURER

[ASAHI](#)