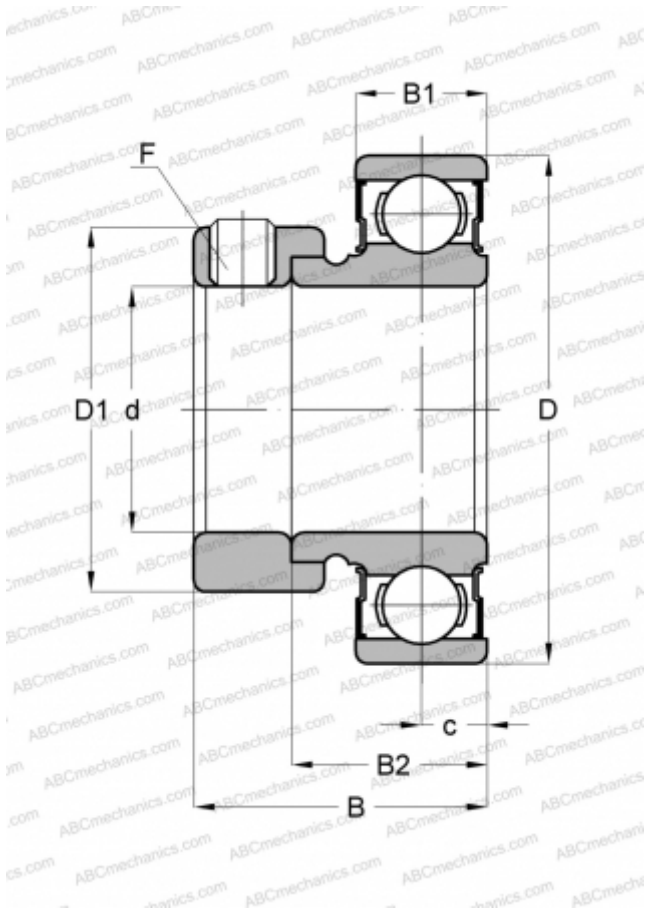


## KHR 208 AE ASAHI

Insert bearings

TYPE: Ball bearings, Radial insert bearings, With eccentric locking collar, Cylindrical outer ring, Series KHR, seals on both side



### Technical specification

#### DIMENSIONS, MM

d	40,000
D	80,000
D1	60,300
B	43,700
B1	18,000
B2	30,200
c	11,000
F	M10 x 1.25

#### WEIGHT, KG

0,620

#### MANUFACTURER

[ASAHI](http://www.asahi.com)