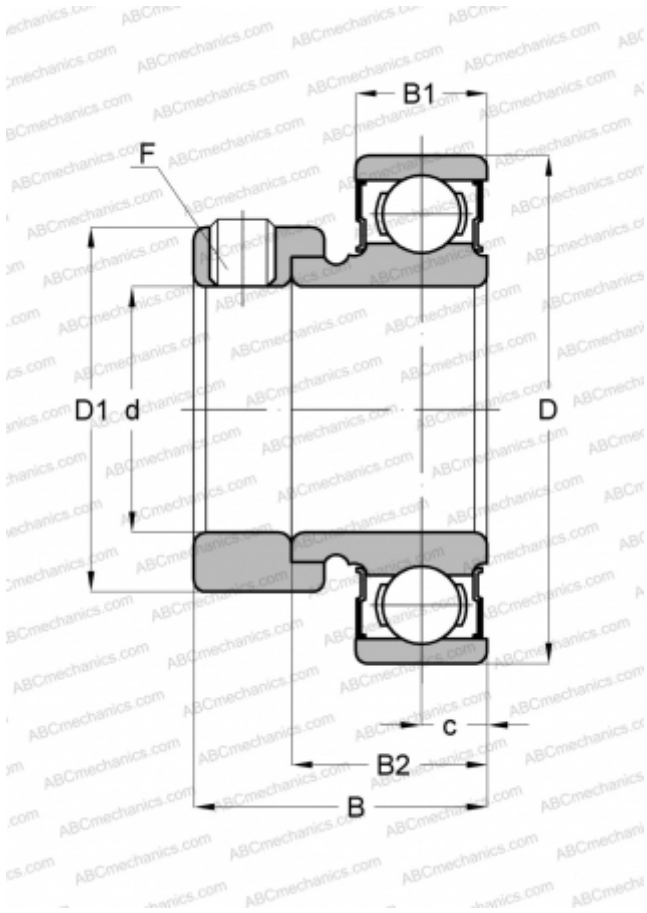


## KHR 211 BE ASAHI

Insert bearings

TYPE: Ball bearings, Radial insert bearings, With eccentric locking collar, Cylindrical outer ring, Series KHR, seals on both side



### Technical specification

#### DIMENSIONS, MM

d	55,000
D	100,000
D1	76,200
B	48,400
B1	21,000
B2	32,500
c	12,000
F	M12 x 1.5

#### WEIGHT, KG

0,940

#### MANUFACTURER

[ASAHI](#)