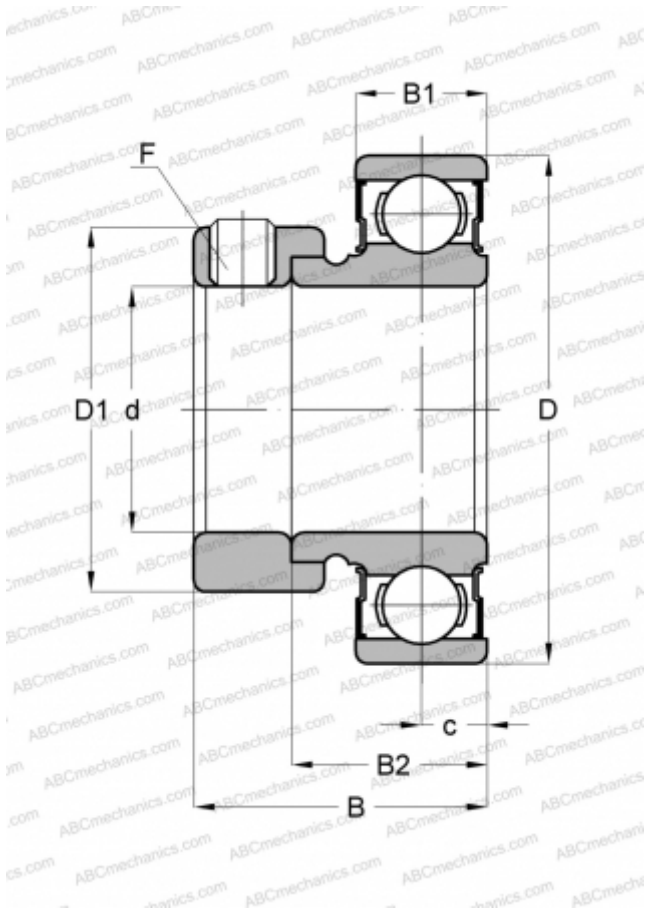


KHR 208-24 AE ASAHI

Insert bearings

TYPE: Ball bearings, Radial insert bearings, With eccentric locking collar, Cylindrical outer ring, Series KHR, seals on both side, inch size



Technical specification

DIMENSIONS, MM

d	38,100
D	80,000
D1	60,325
B	43,658
B1	18,009
B2	30,175
c	10,998
F	3/8-24

WEIGHT, KG

0,621

MANUFACTURER

[ASAHI](#)