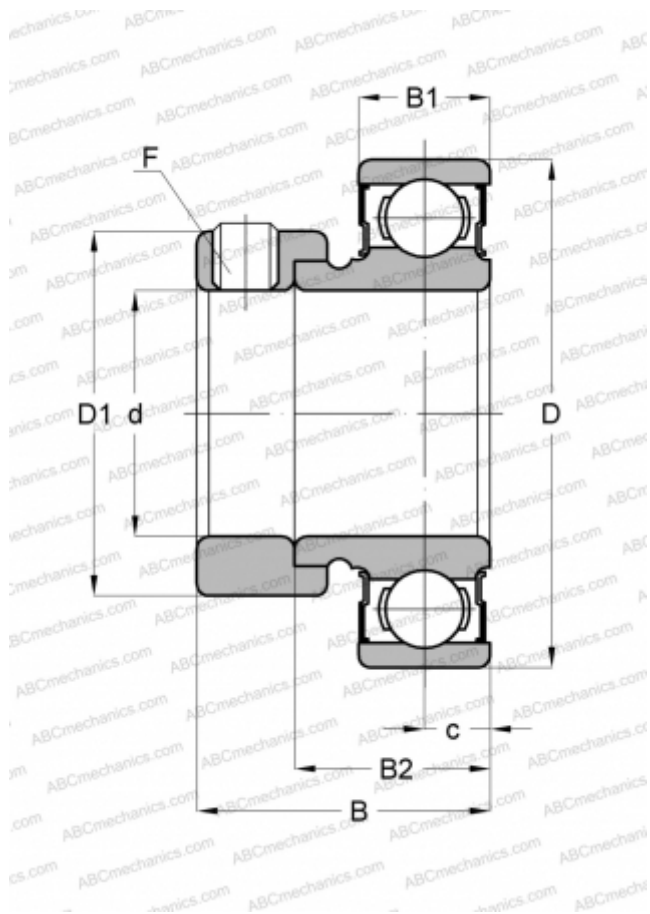


KHR 211-34 BE ASAHI

Insert bearings

TYPE: Ball bearings, Radial insert bearings, With eccentric locking collar, Cylindrical outer ring, Series KHR, seals on both side, inch size



Technical specification

DIMENSIONS, MM

| | |
|----|---------|
| d | 53,975 |
| D | 100,000 |
| D1 | 76,200 |
| B | 43,658 |
| B1 | 21,006 |
| B2 | 32,537 |
| c | 11,989 |
| F | 7/16-20 |

WEIGHT, KG

0,939

MANUFACTURER

[ASAHI](#)