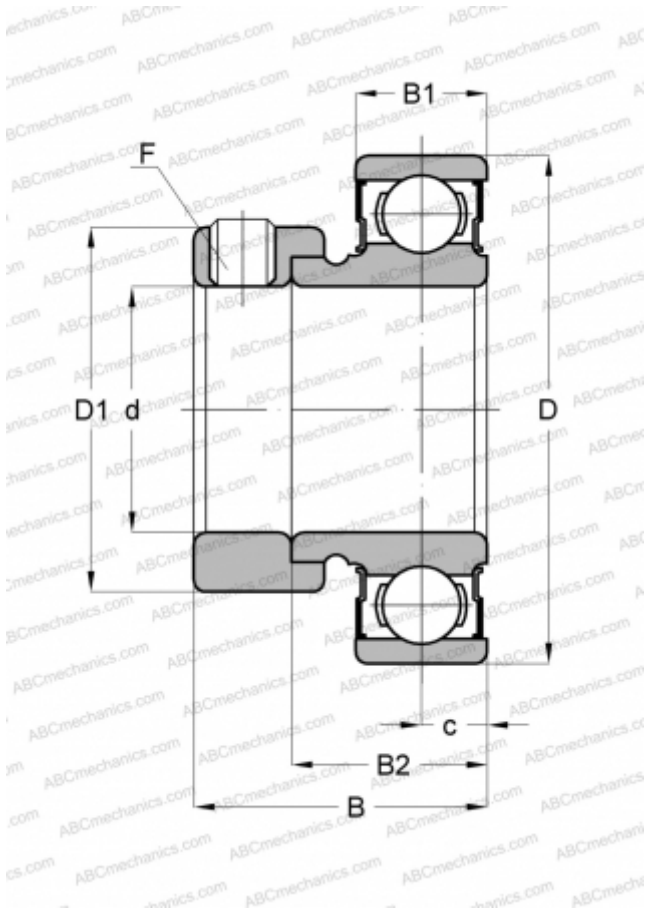


KHR 211-35 BE ASAHI

Insert bearings

TYPE: Ball bearings, Radial insert bearings, With eccentric locking collar, Cylindrical outer ring, Series KHR, seals on both side, inch size



Technical specification

DIMENSIONS, MM

d	55,562
D	100,000
D1	76,200
B	43,658
B1	21,006
B2	32,537
c	11,989
F	7/16-20

WEIGHT, KG

0,939

MANUFACTURER

[ASAHI](#)