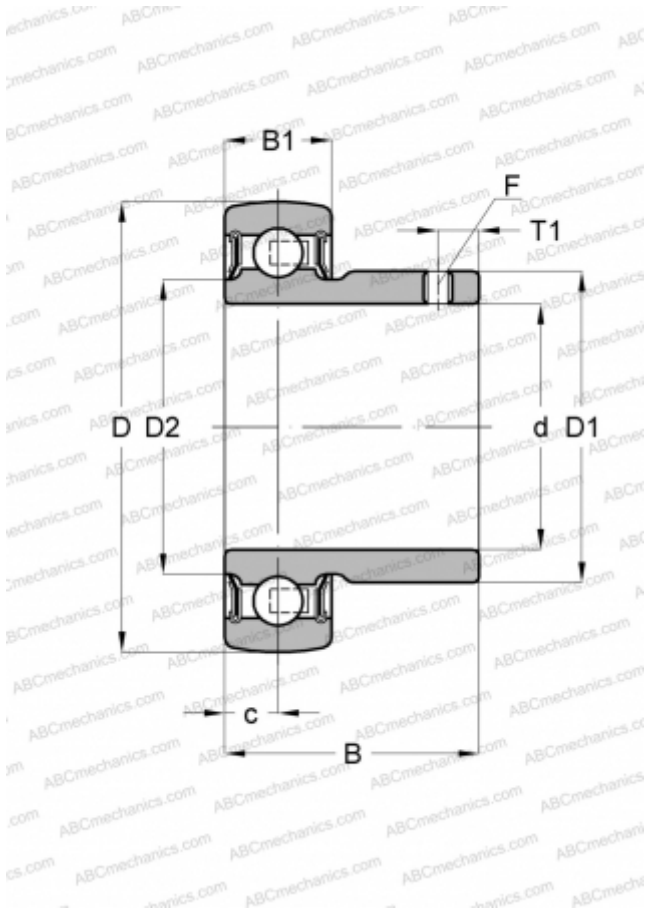


## AY17-NPP-B INA

Insert bearings

TYPE: Ball bearings, Radial insert bearings, Grub screw to inner ring, Spherical outer ring, Series AY...-NPP-B(INA), seals on both side



### Technical specification

#### DIMENSIONS, MM

d	17,000
D	40,000
D1	23,900
D2	22,900
B	22,000
B1	12,000
c	6,000
T1	4,000
F	2.5

#### WEIGHT, KG

0,080

#### MANUFACTURER

[INA](#)

#### REPLACES

AY17-XL-NPP-B