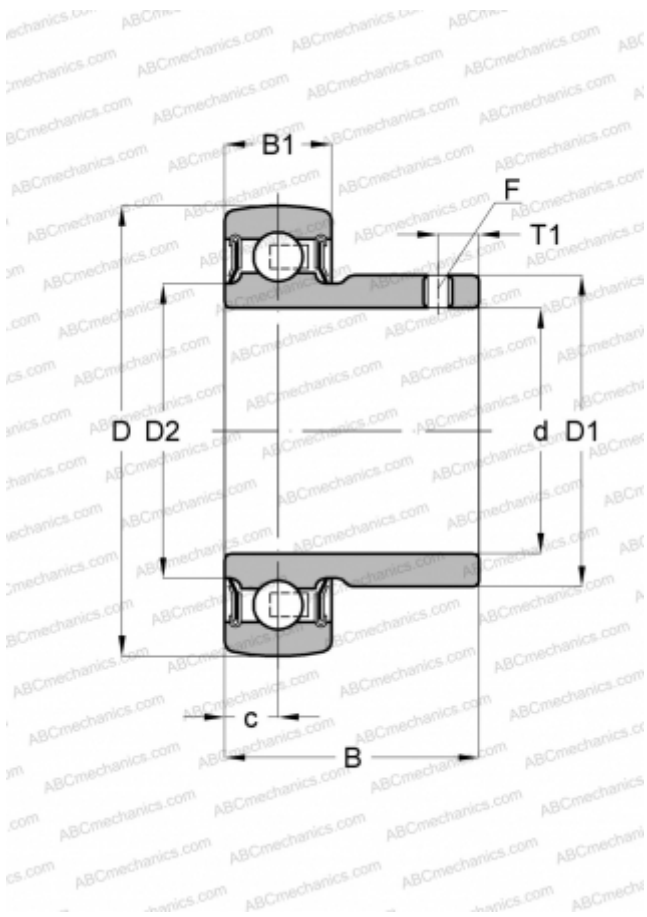


AY30-NPP-B INA

Insert bearings

TYPE: Ball bearings, Radial insert bearings, Grub screw to inner ring, Spherical outer ring, Series AY...-NPP-B(INA), seals on both side



Technical specification

DIMENSIONS, MM

d	30,000
D	62,000
D1	39,400
D2	37,300
B	30,000
B1	18,000
c	9,000
T1	5,800
F	3

WEIGHT, KG

0,250

MANUFACTURER

[INA](#)

REPLACES

AY30-XL-NPP-B