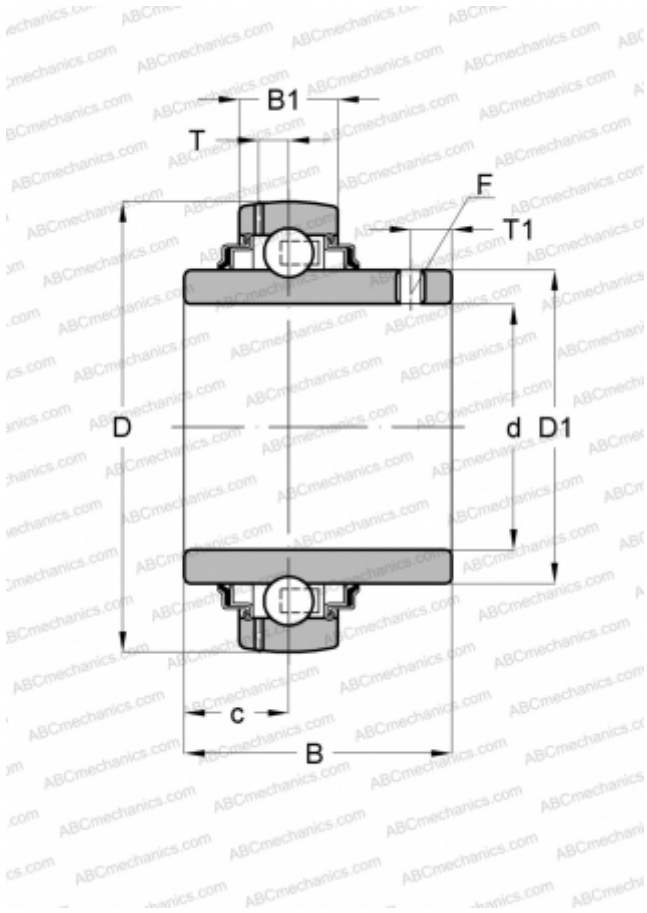


## GYE30-KRR-B INA

Insert bearings

TYPE: Ball bearings, Radial insert bearings, Grub screw to inner ring, Spherical outer ring, Series GYE...-KRR-B(INA), seals on both side



### Technical specification

#### DIMENSIONS, MM

d	30,000
D	62,000
D1	40,200
B	38,100
B1	18,000
c	15,900
T	4,700
T1	5,800
F	3

#### WEIGHT, KG

0,310

#### MANUFACTURER

[INA](#)

#### REPLACES

GYE30-XL-KRR-B