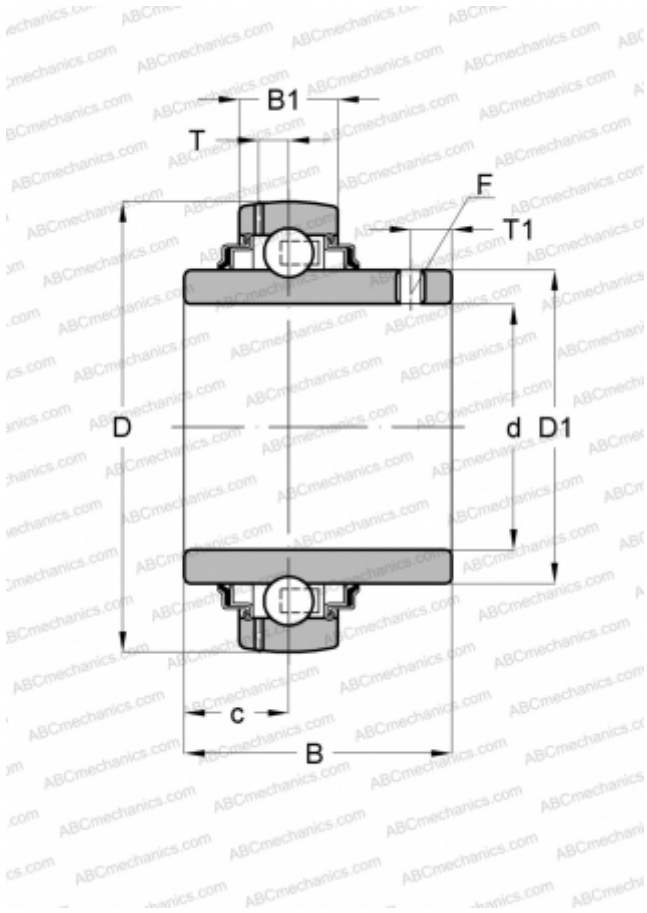


## GYE65-214-KRR-B INA

Insert bearings

TYPE: Ball bearings, Radial insert bearings, Grub screw to inner ring, Spherical outer ring, Series GYE...-KRR-B(INA), seals on both side



### Technical specification

#### DIMENSIONS, MM

d	65,000
D	125,000
D1	85,200
B	74,600
B1	28,000
c	30,200
T	8,900
T1	12,100
F	5

#### WEIGHT, KG

2,250

#### MANUFACTURER

[INA](#)

#### REPLACES

GYE65-214-XL-KRR-B