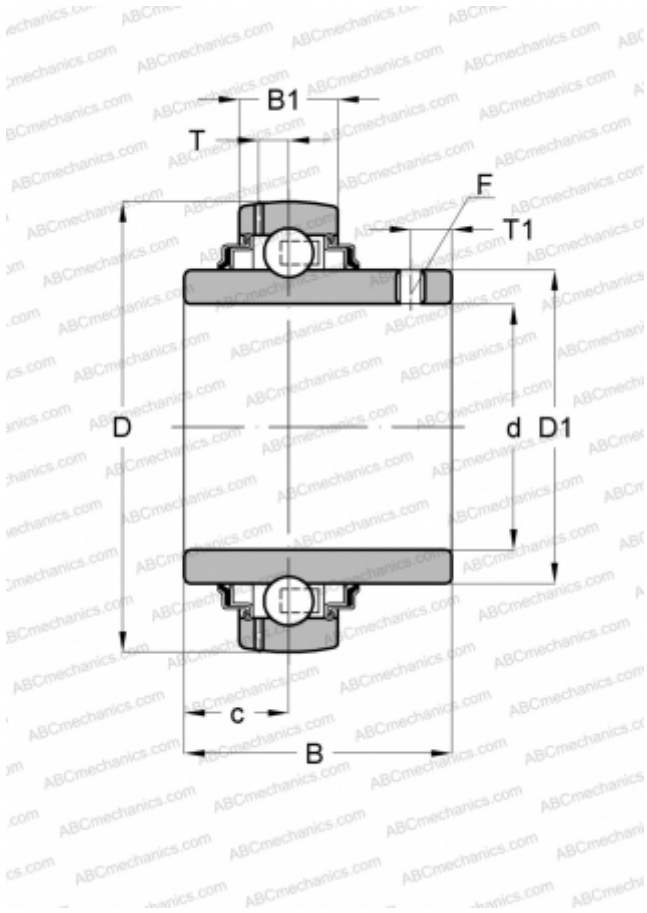


GYE90-KRR-B INA

Insert bearings

TYPE: Ball bearings, Radial insert bearings, Grub screw to inner ring, Spherical outer ring, Series GYE...-KRR-B(INA), seals on both side



Technical specification

DIMENSIONS, MM

d	90,000
D	160,000
D1	109,400
B	96,000
B1	32,000
c	39,700
T	10,000
T1	12,000
F	6

WEIGHT, KG

3,930

MANUFACTURER

[INA](#)

REPLACES

GYE90-XL-KRR-B