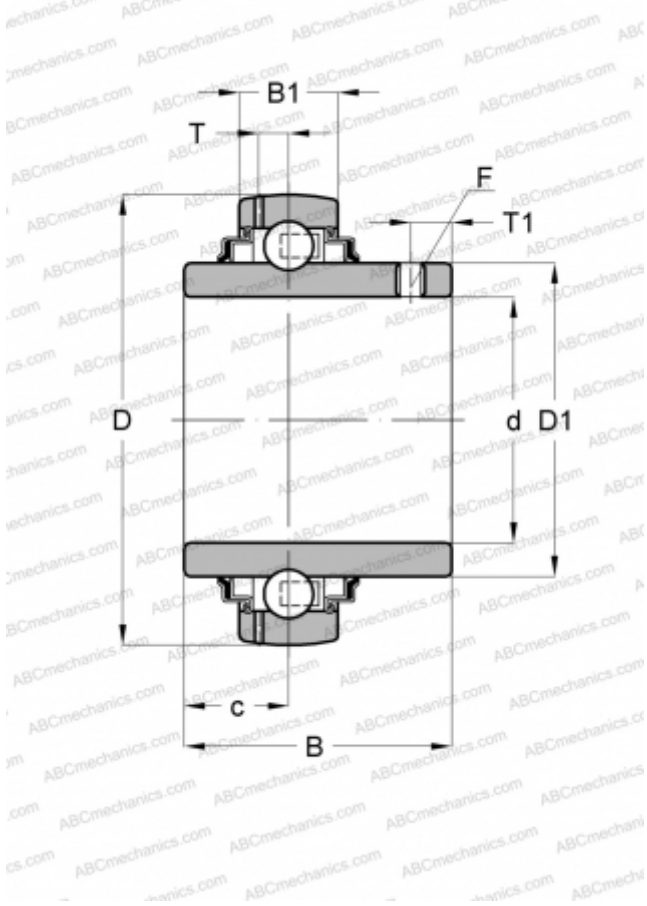


## GYE12-KRR-B-VA INA

Insert bearings

TYPE: Ball bearings, Radial insert bearings, Grub screw to inner ring, Spherical outer ring, Series GYE...-KRR-B(INA), seals on both side, corrosion resistant



### Technical specification

#### DIMENSIONS, MM

d	12,000
D	40,000
D1	23,900
B	25,000
B1	12,000
c	9,600
T	3,400
T1	4,000
F	2.5

#### WEIGHT, KG

0,110

#### MANUFACTURER

[INA](#)

#### REPLACES

GYE12-XL-KRR-B-VA