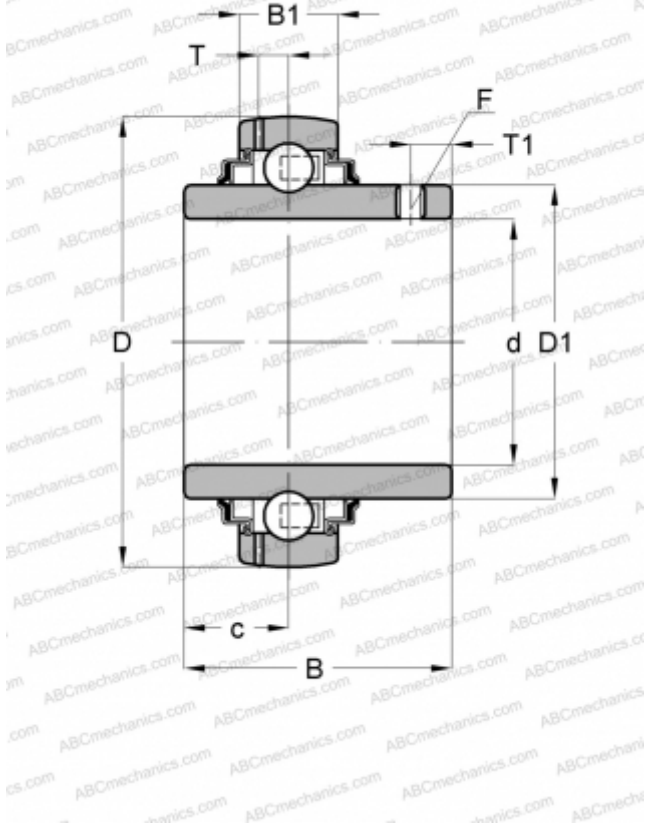


GYE20-KRR-B-VA INA

Insert bearings

TYPE: Ball bearings, Radial insert bearings, Grub screw to inner ring, Spherical outer ring, Series GYE...-KRR-B(INA), seals on both side, corrosion resistant



Technical specification

DIMENSIONS, MM

d	20,000
D	47,000
D1	29,050
B	31,000
B1	16,000
c	12,700
T	4,000
T1	5,000
F	2.5

WEIGHT, KG

0,150

MANUFACTURER

[INA](#)

REPLACES

GYE20-XL-KRR-B-VA