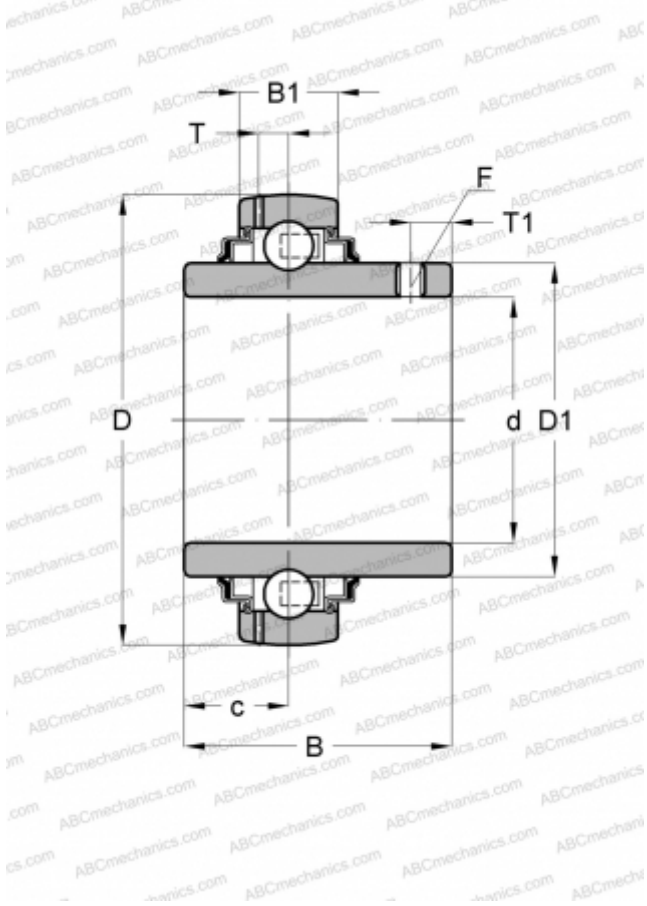


GYE30-KRR-B-VA INA

Insert bearings

TYPE: Ball bearings, Radial insert bearings, Grub screw to inner ring, Spherical outer ring, Series GYE..-KRR-B(INA), seals on both side, corrosion resistant



Technical specification

DIMENSIONS, MM

d	30,000
D	62,000
D1	40,310
B	38,100
B1	19,000
c	15,900
T	5,000
T1	6,000
F	3

WEIGHT, KG

0,300

MANUFACTURER

[INA](#)

REPLACES

GYE30-XL-KRR-B-VA