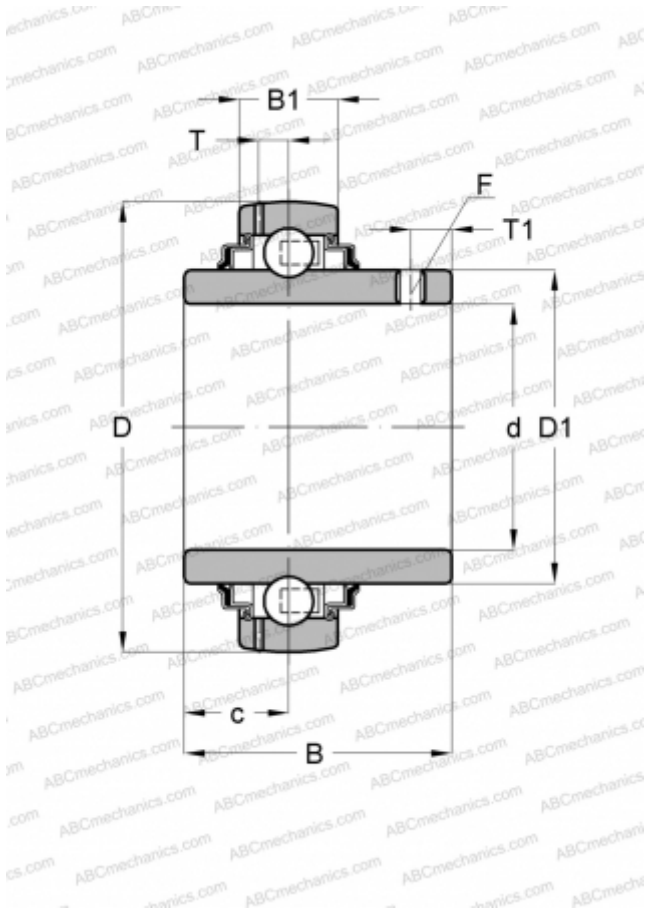


GYE35-KRR-B-VA INA

Insert bearings

TYPE: Ball bearings, Radial insert bearings, Grub screw to inner ring, Spherical outer ring, Seals on both side, R seal, relubrication, corrosion resistant



Technical specification

DIMENSIONS, MM

d	35,000
D	72,000
D1	47,400
B	42,900
B1	20,000
c	17,500
T	5,700
T1	6,500
F	3

MANUFACTURER

[INA](#)

CALCULATION DATA

Basic dynamic load rating, C	25,500 kN
Basic static load rating, Co	15,300 kN
Operating temperature min	-35 °C
Operating temperature max	100 °C

REPLACES

GYE35-XL-KRR-B-VA