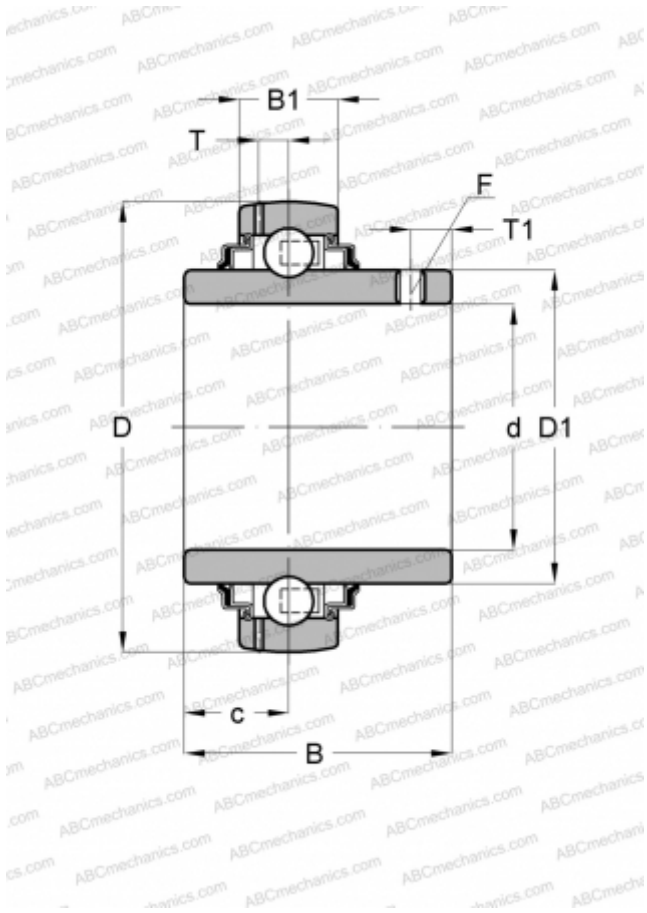


GYE40-KRR-B-VA INA

Insert bearings

TYPE: Ball bearings, Radial insert bearings, Grub screw to inner ring, Spherical outer ring, Series GYE...-KRR-B(INA), seals on both side, corrosion resistant



Technical specification

DIMENSIONS, MM

d	40,000
D	80,000
D1	52,830
B	49,200
B1	21,000
c	19,000
T	5,900
T1	8,000
F	4

WEIGHT, KG

0,600

MANUFACTURER

[INA](#)

REPLACES

GYE40-XL-KRR-B-VA