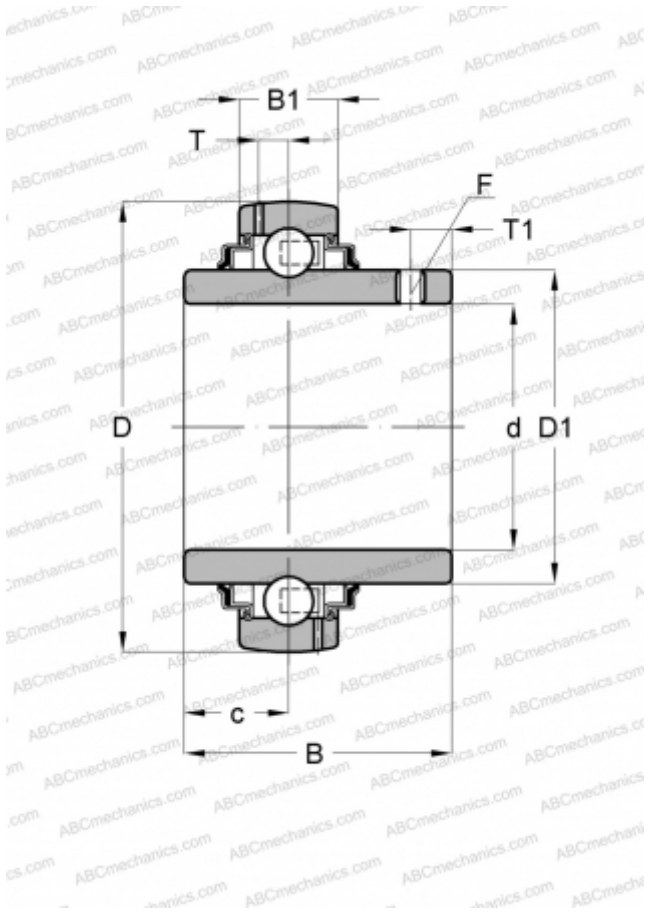


## GY1012-KRR-B-AS2/V INA

Insert bearings

TYPE: Ball bearings, Radial insert bearings, Grub screw to inner ring, Spherical outer ring, Series GY..-KRR-B-AS2/V(INA), seals on both side, 2 lubrication hole offset on both side, inch



### Technical specification

#### DIMENSIONS, MM

d	19,050
D	47,000
D1	27,600
B	31,000
B1	14,000
c	12,700
T	14,000
T1	4,500
F	2.381

#### WEIGHT, KG

0,170

#### MANUFACTURER

[INA](#)