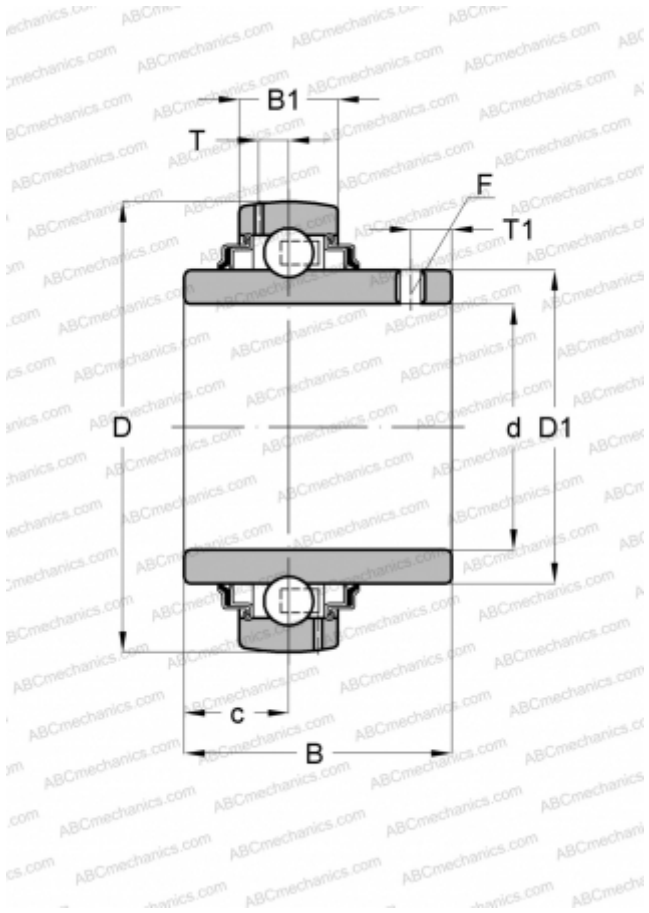


GY1104-KRR-B-AS2/V INA

Insert bearings

TYPE: Ball bearings, Radial insert bearings, Grub screw to inner ring, Spherical outer ring, Series GY..-KRR-B-AS2/V(INA), seals on both side, 2 lubrication hole offset on both side, inch



Technical specification

DIMENSIONS, MM

d	31,750
D	72,000
D1	46,800
B	42,900
B1	19,000
c	17,500
T	19,000
T1	6,000
F	3.175

WEIGHT, KG

0,490

MANUFACTURER

[INA](#)