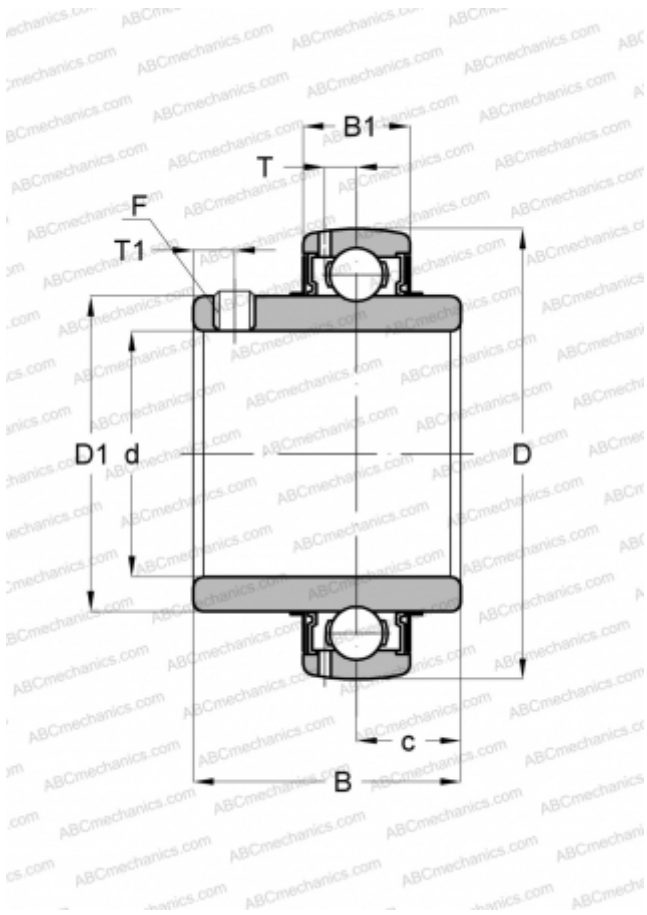


## UC 217 ASAHI

Insert bearings

TYPE: Ball bearings, Radial insert bearings, Grub screw to inner ring, Spherical outer ring, Series UC, seals on both side



### Technical specification

#### DIMENSIONS, MM

|    |           |
|----|-----------|
| d  | 85,000    |
| D  | 150,000   |
| D1 | 105,000   |
| B  | 85,700    |
| B1 | 34,000    |
| c  | 34,100    |
| T  | 10,500    |
| T1 | 14,000    |
| F  | M12 x 1.5 |

#### WEIGHT, KG

3,380

#### MANUFACTURER

[ASAHI](#)