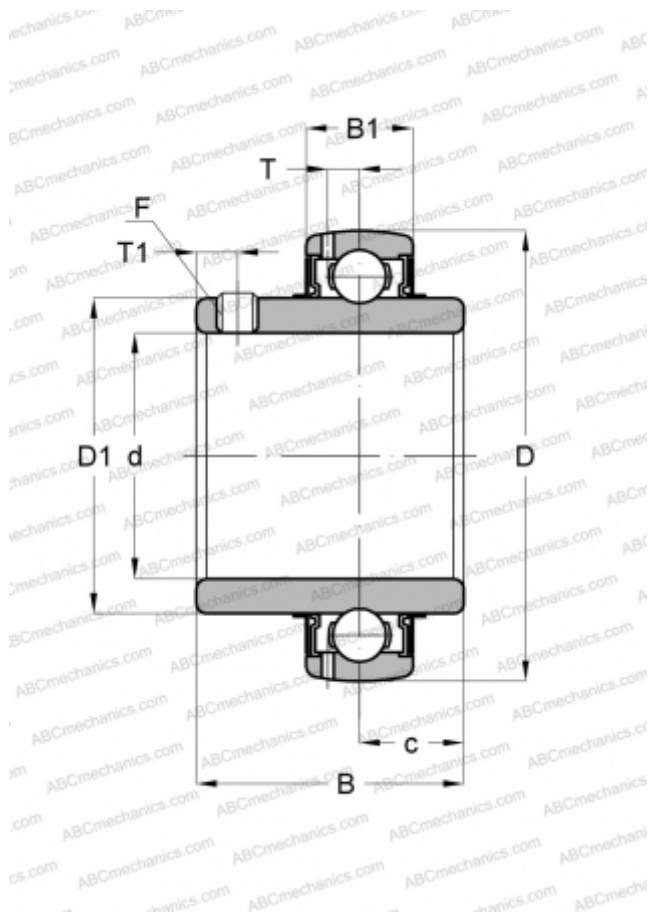


UC 321 ASAHI

Insert bearings

TYPE: Ball bearings, Radial insert bearings, Grub screw to inner ring, Spherical outer ring, Series UC, seals on both side



Technical specification

DIMENSIONS, MM

d	105,000
D	225,000
D1	142,000
B	112,000
B1	56,000
c	44,000
T	19,000
T1	18,000
F	M18 x 1.5

WEIGHT, KG

12,200

MANUFACTURER

[ASAHI](#)