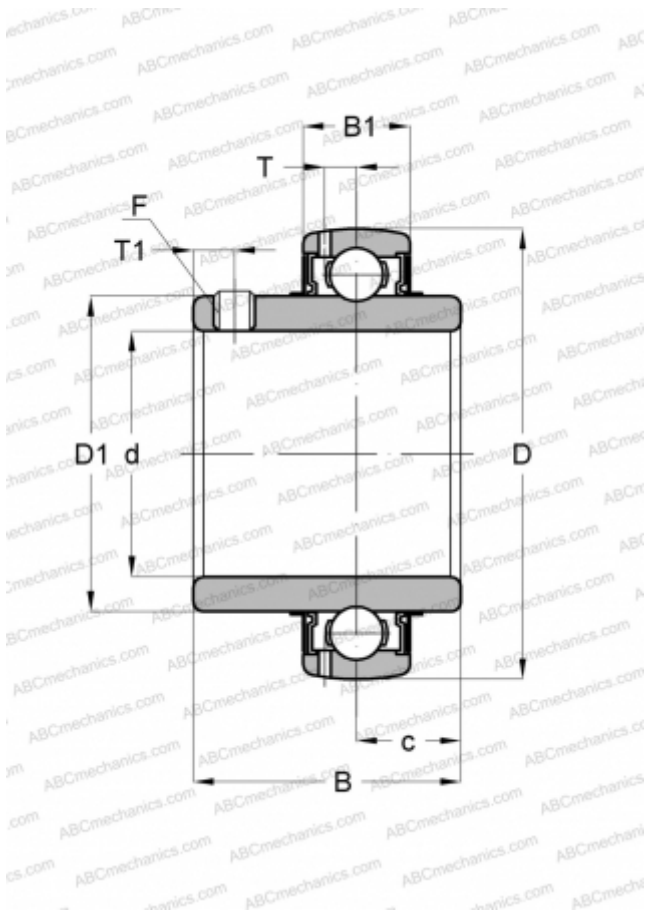


## UC 322 ASAHI

Insert bearings

TYPE: Ball bearings, Radial insert bearings, Grub screw to inner ring, Spherical outer ring, Series UC, seals on both side



### Technical specification

#### DIMENSIONS, MM

d	110,000
D	240,000
D1	152,000
B	117,000
B1	60,000
c	46,000
T	21,000
T1	18,000
F	M18 x 1.5

#### WEIGHT, KG

14,300

#### MANUFACTURER

[ASAHI](#)