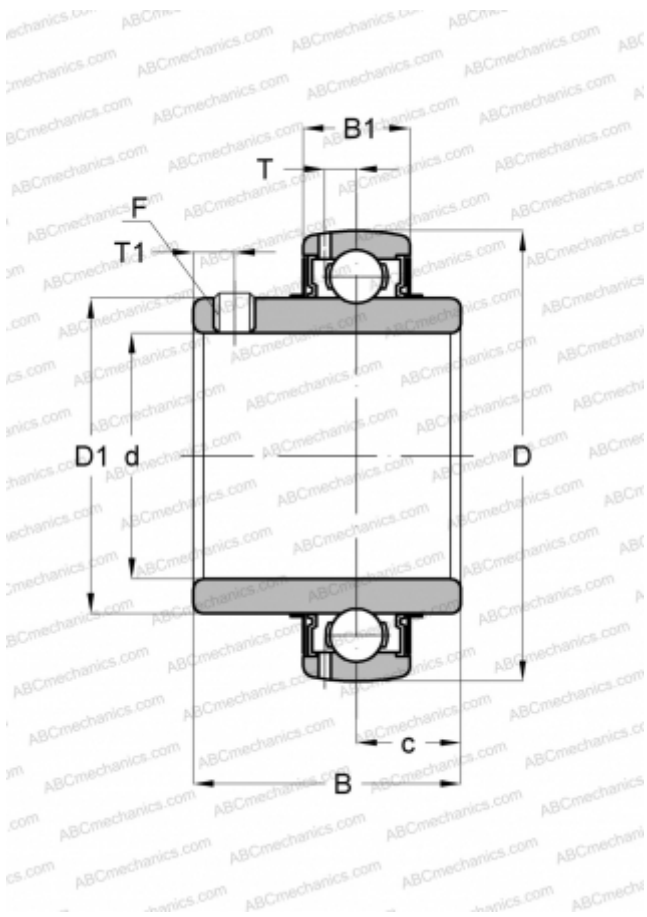


UCW 201 ASAHI

Insert bearings

TYPE: Ball bearings, Radial insert bearings, Grub screw to inner ring, Spherical outer ring, Series UC, seals on both side



Technical specification

DIMENSIONS, MM

d	12,000
D	40,000
D1	24,700
B	26,000
B1	15,000
c	10,000
T	4,000
T1	4,000
F	M5 x 0.8

WEIGHT, KG

0,120

MANUFACTURER

[ASAHI](#)