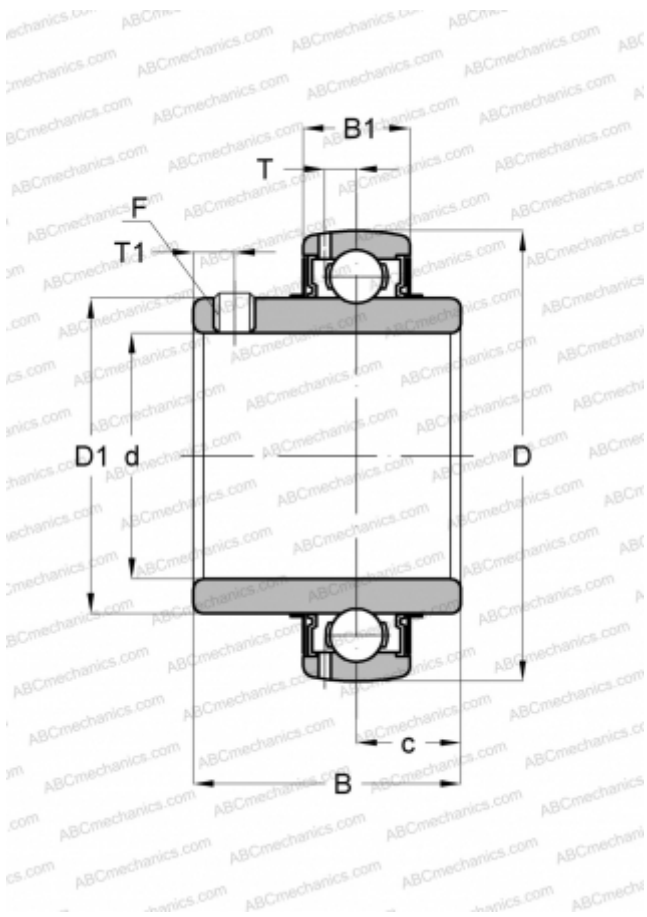


UC 214-44 ASAHI

Insert bearings

TYPE: Ball bearings, Radial insert bearings, Grub screw to inner ring, Spherical outer ring, Series UC, seals on both side, inch size



Technical specification

DIMENSIONS, MM

d	69,850
D	125,001
D1	86,995
B	74,600
B1	29,007
c	30,201
T	8,712
T1	11,989
F	7/16-20

WEIGHT, KG

2,059

MANUFACTURER

[ASAHI](#)