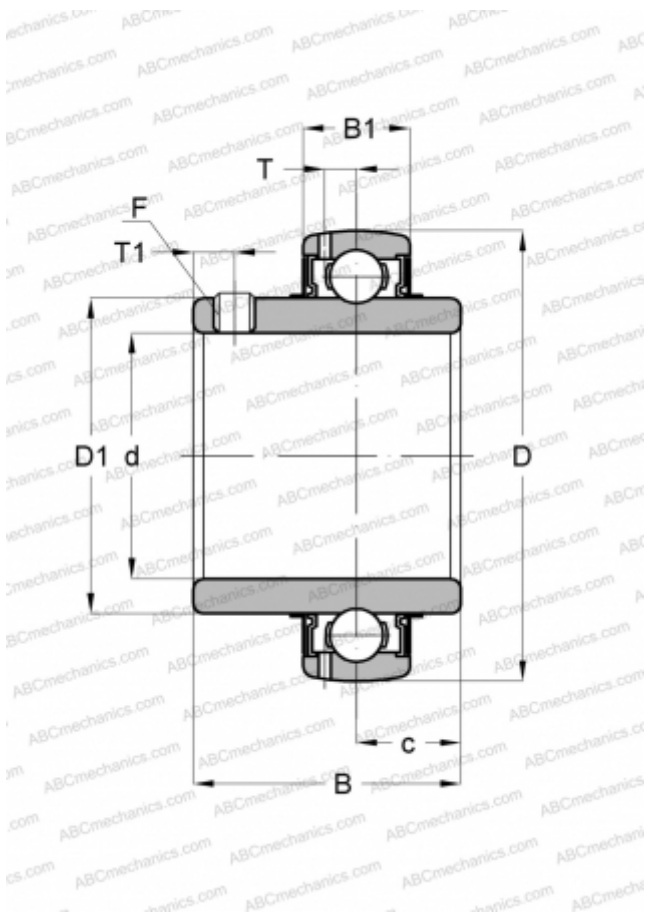


## UC 217-52 ASAHI

Insert bearings

TYPE: Ball bearings, Radial insert bearings, Grub screw to inner ring, Spherical outer ring, Series UC, seals on both side, inch size



### Technical specification

#### DIMENSIONS, MM

|    |         |
|----|---------|
| d  | 82,550  |
| D  | 150,000 |
| D1 | 105,004 |
| B  | 85,700  |
| B1 | 34,011  |
| c  | 34,112  |
| T  | 10,490  |
| T1 | 13,995  |
| F  | 7/16-20 |

#### WEIGHT, KG

3,379

#### MANUFACTURER

[ASAHI](#)