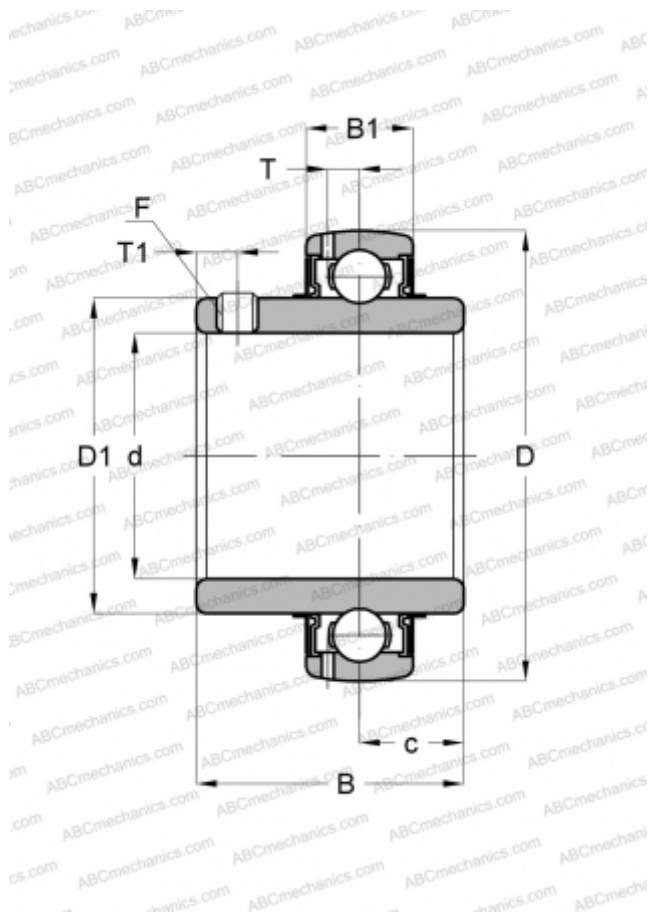


## UC 320-64 ASAHI

Insert bearings

TYPE: Ball bearings, Radial insert bearings, Grub screw to inner ring, Spherical outer ring, Series UC, seals on both side, inch size



### Technical specification

#### DIMENSIONS, MM

d	101,600
D	215,001
D1	135,509
B	108,001
B1	54,000
c	42,012
T	18,009
T1	18,009
F	3/4-16

#### WEIGHT, KG

10,796

#### MANUFACTURER

[ASAHI](#)