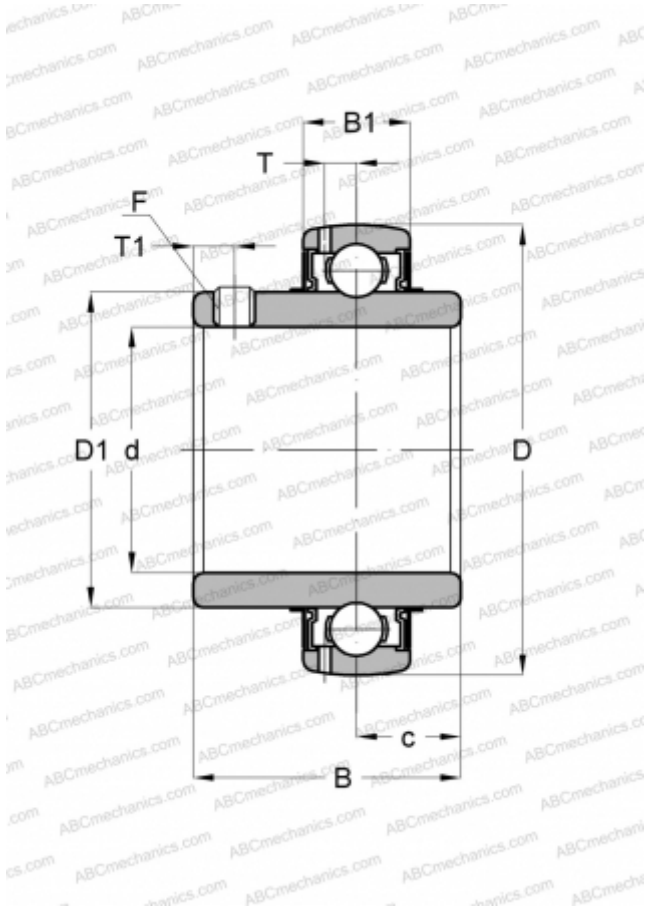


## UC X09-26 ASAHI

Insert bearings

TYPE: Ball bearings, Radial insert bearings, Grub screw to inner ring, Spherical outer ring, Series UC X, seals on both side, inch size



### Technical specification

#### DIMENSIONS, MM

|    |        |
|----|--------|
| d  | 41,275 |
| D  | 90,000 |
| D1 | 62,992 |
| B  | 51,587 |
| B1 | 23,012 |
| c  | 18,999 |
| T  | 6,502  |
| T1 | 8,992  |
| F  | 3/8-24 |

#### WEIGHT, KG

0,921

#### MANUFACTURER

[ASAHI](#)