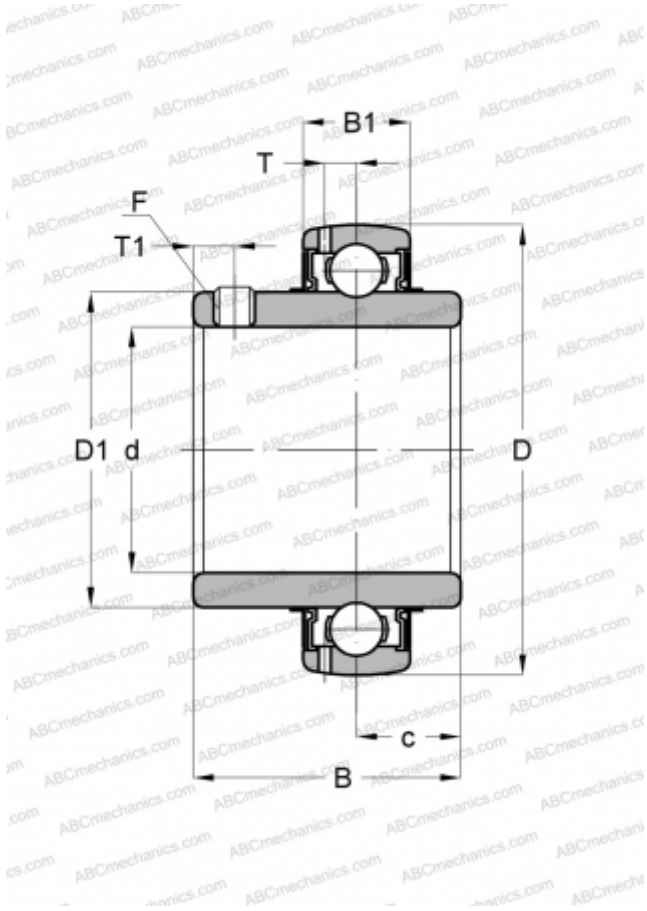


UC X12-39 ASAHI

Insert bearings

TYPE: Ball bearings, Radial insert bearings, Grub screw to inner ring, Spherical outer ring, Series UC X, seals on both side, inch size



Technical specification

DIMENSIONS, MM

d	61,912
D	120,000
D1	82,093
B	65,100
B1	27,000
c	25,400
T	8,306
T1	10,008
F	3/8-24

WEIGHT, KG

1,969

MANUFACTURER

[ASAHI](#)