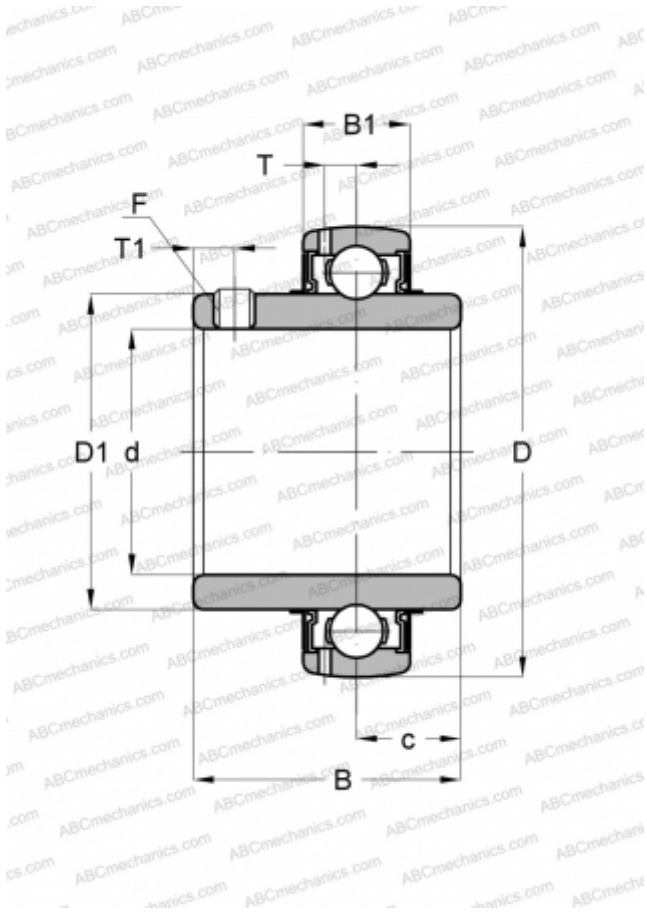


## UC X14-44 ASAHI

Insert bearings

TYPE: Ball bearings, Radial insert bearings, Grub screw to inner ring, Spherical outer ring, Series UC X, seals on both side, inch size



### Technical specification

#### DIMENSIONS, MM

d	69,850
D	130,000
D1	91,491
B	77,800
B1	29,997
c	33,299
T	9,195
T1	11,989
F	7/16-20

#### WEIGHT, KG

2,567

#### MANUFACTURER

[ASAHI](#)