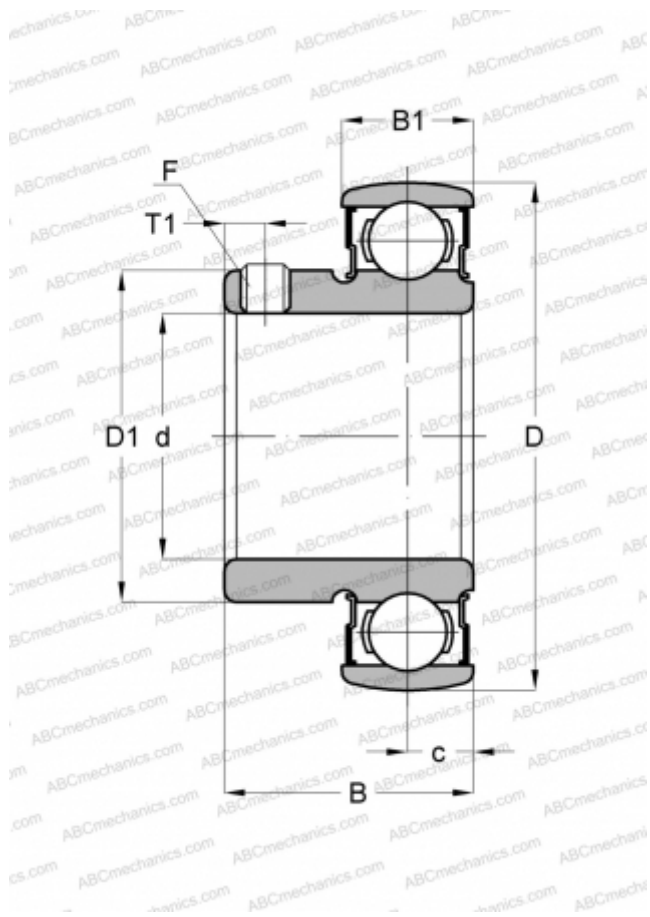


## B 1 ASAHI

Insert bearings

TYPE: Ball bearings, Radial insert bearings, Grub screw to inner ring, Spherical outer ring, Series B, seals on both side



### Technical specification

#### DIMENSIONS, MM

d	12,000
D	40,000
D1	24,700
B	22,000
B1	12,000
c	6,000
T1	4,000
F	M5 x 0.8

#### WEIGHT, KG

0,100

#### MANUFACTURER

[ASAHI](#)