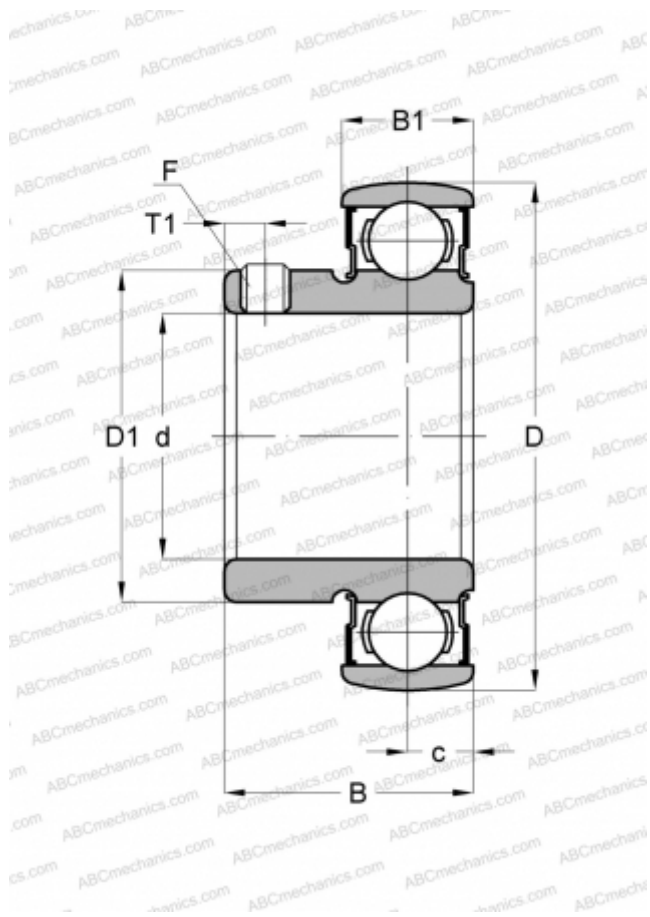


B 7 ASAHI

Insert bearings

TYPE: Ball bearings, Radial insert bearings, Grub screw to inner ring, Spherical outer ring, Series B, seals on both side



Technical specification

DIMENSIONS, MM

| | |
|----|--------|
| d | 35,000 |
| D | 72,000 |
| D1 | 48,000 |
| B | 32,900 |
| B1 | 17,000 |
| c | 8,500 |
| T1 | 6,000 |
| F | M8 x 1 |

WEIGHT, KG

0,380

MANUFACTURER

[ASAHI](#)