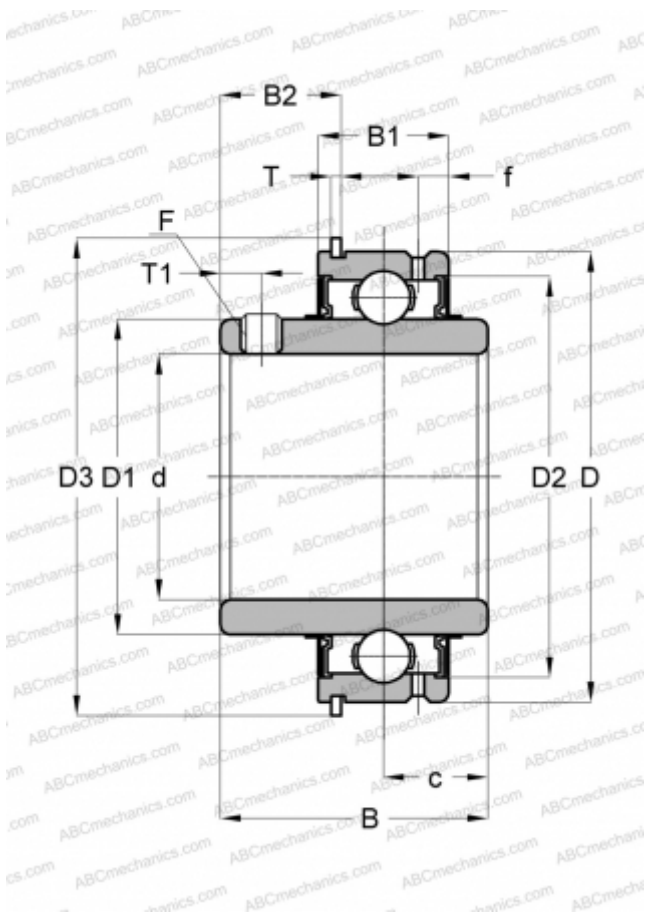


SER 211 ASAHI

Insert bearings

TYPE: Ball bearings, Radial insert bearings, Grub screw to inner ring, Cylindrical outer ring, snap ring, Series SER, seals on both side



Technical specification

DIMENSIONS, MM

d	55,000
D	100,000
D1	70,000
D2	90,700
D3	106,500
B	55,600
B1	30,200
B2	23,840
f	7,500
c	22,200
T	2,410
T1	9,000
F	M10 x 1.25

WEIGHT, KG 1,210

MANUFACTURER [ASAHI](#)