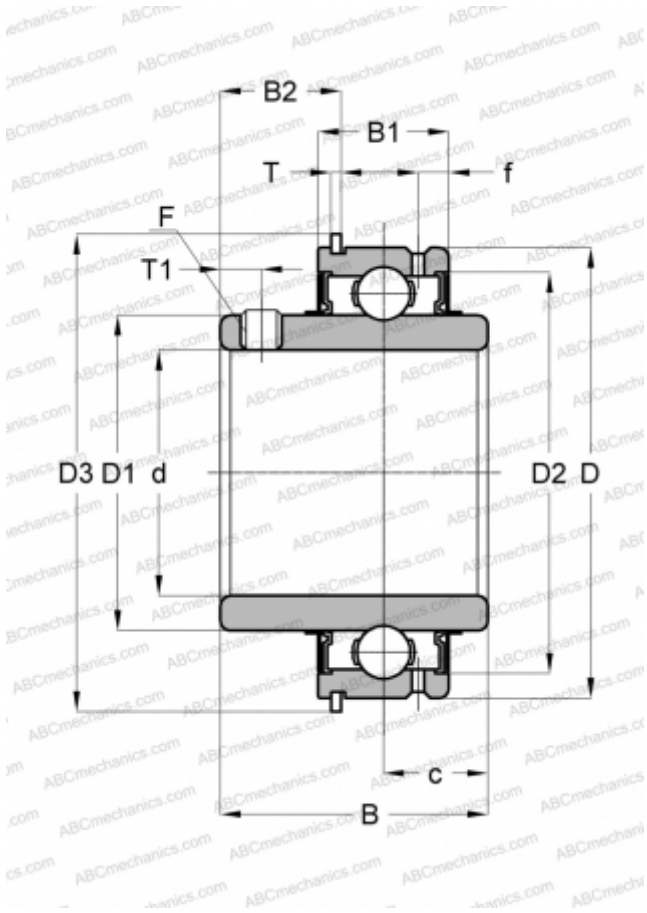


SER 212 ASAHI

Insert bearings

TYPE: Ball bearings, Radial insert bearings, Grub screw to inner ring, Cylindrical outer ring, snap ring, Series SER, seals on both side



Technical specification

DIMENSIONS, MM

| | |
|----|------------|
| d | 60,000 |
| D | 110,000 |
| D1 | 77,000 |
| D2 | 100,000 |
| D3 | 116,600 |
| B | 65,100 |
| B1 | 31,800 |
| B2 | 29,400 |
| f | 7,500 |
| c | 25,400 |
| T | 2,410 |
| T1 | 10,000 |
| F | M10 x 1.25 |

WEIGHT, KG 1,680

MANUFACTURER [ASAHI](http://www.asahi.com)