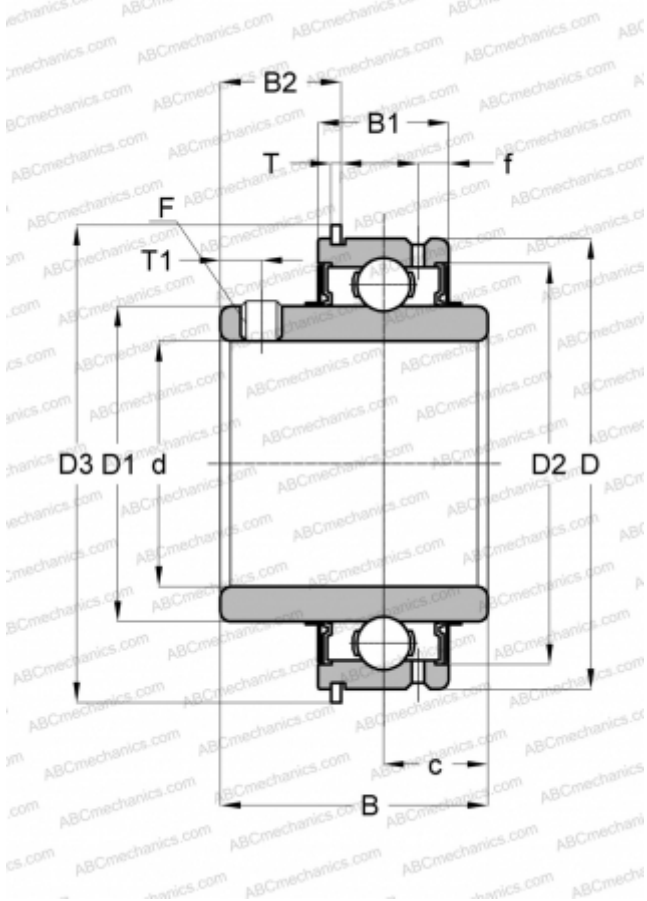


SER 206-17 ASAHI

Insert bearings

TYPE: Ball bearings, Radial insert bearings, Grub screw to inner ring, Cylindrical outer ring, snap ring, Series SER, seals on both side, inch size



Technical specification

DIMENSIONS, MM

| | |
|----|--------|
| d | 26,987 |
| D | 61,999 |
| D1 | 40,488 |
| D2 | 54,305 |
| D3 | 67,691 |
| B | 38,100 |
| B1 | 22,225 |
| B2 | 15,951 |
| f | 5,791 |
| c | 15,875 |
| T | 1,651 |
| T1 | 5,512 |
| F | 1/4-28 |

WEIGHT, KG

0,381

MANUFACTURER

[ASAHI](#)