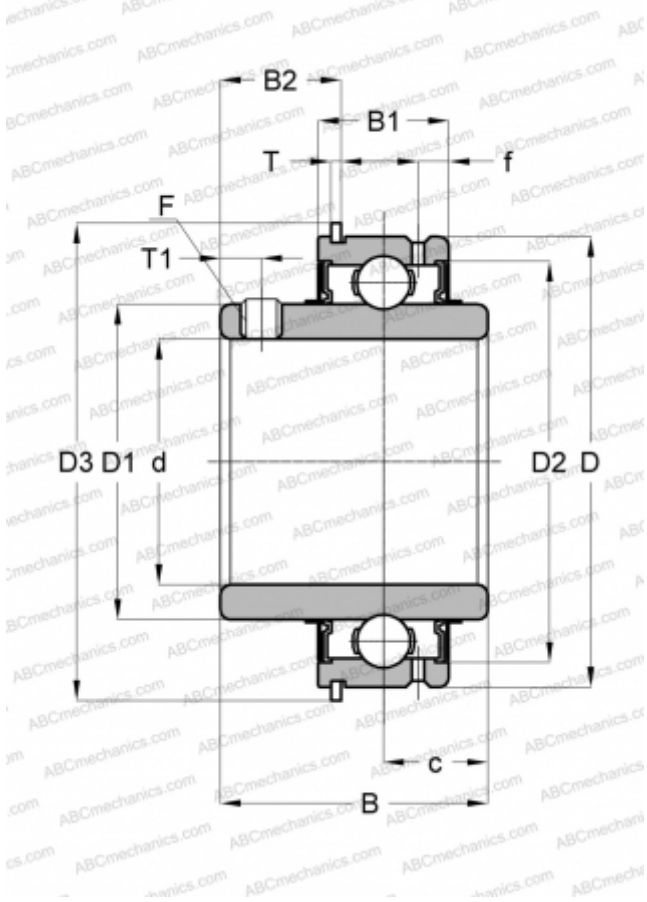


## SER 206-19 ASAHI

Insert bearings

TYPE: Ball bearings, Radial insert bearings, Grub screw to inner ring, Cylindrical outer ring, snap ring, Series SER, seals on both side, inch size



### Technical specification

#### DIMENSIONS, MM

d	30,162
D	61,999
D1	40,488
D2	54,305
D3	67,691
B	38,100
B1	22,225
B2	15,951
f	5,791
c	15,875
T	1,651
T1	5,512
F	1/4-28

**WEIGHT, KG** 0,381

**MANUFACTURER** [ASAHI](#)