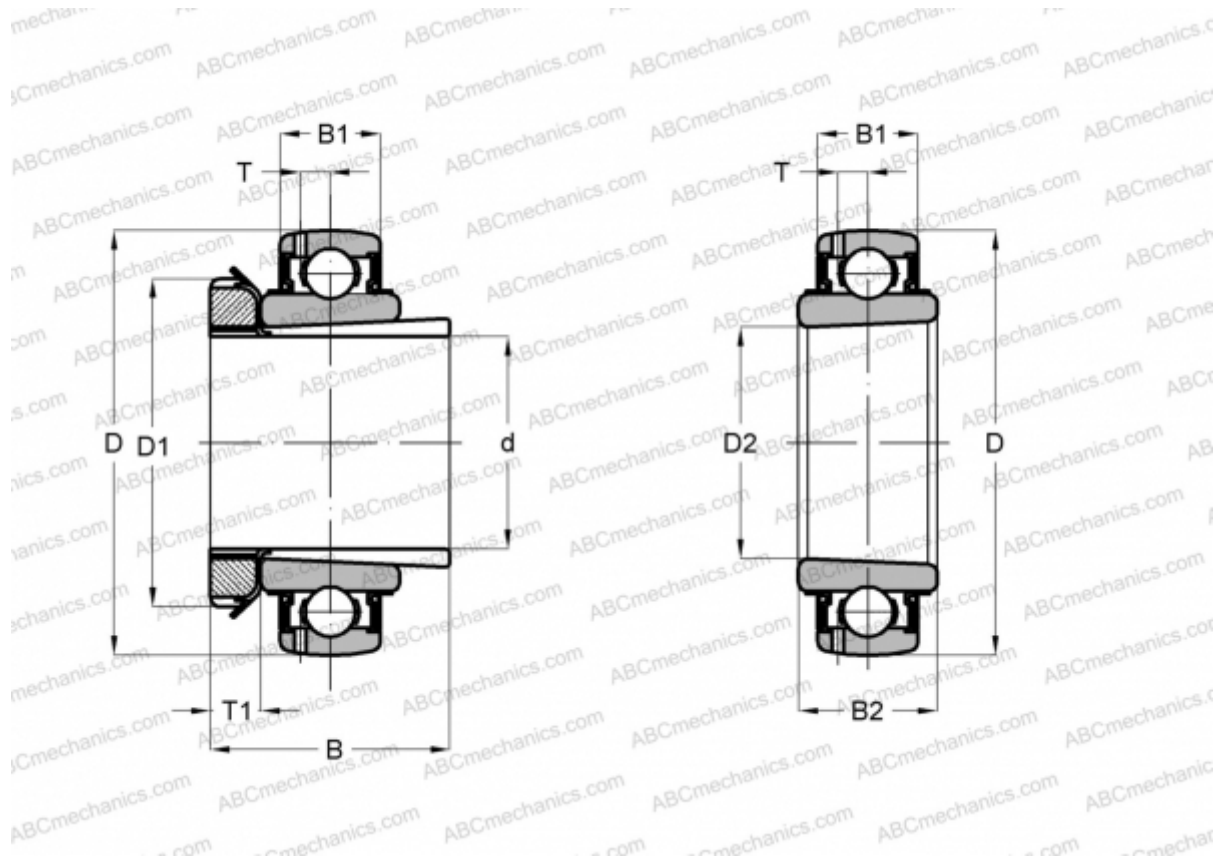


UK 310 + H2310 ASAHI

Insert bearings

TYPE: Ball bearings, Radial insert bearings, With adapter sleeve, Spherical outer ring, Series UK, seals on both side



Technical specification

DIMENSIONS, MM

d	45,000
D	110,000
D1	70,000
D2	50,000
B	55,000
B1	32,000
B2	40,000
T	10,000
T1	12,000

WEIGHT, KG 1,680

MANUFACTURER [ASAHI](#)