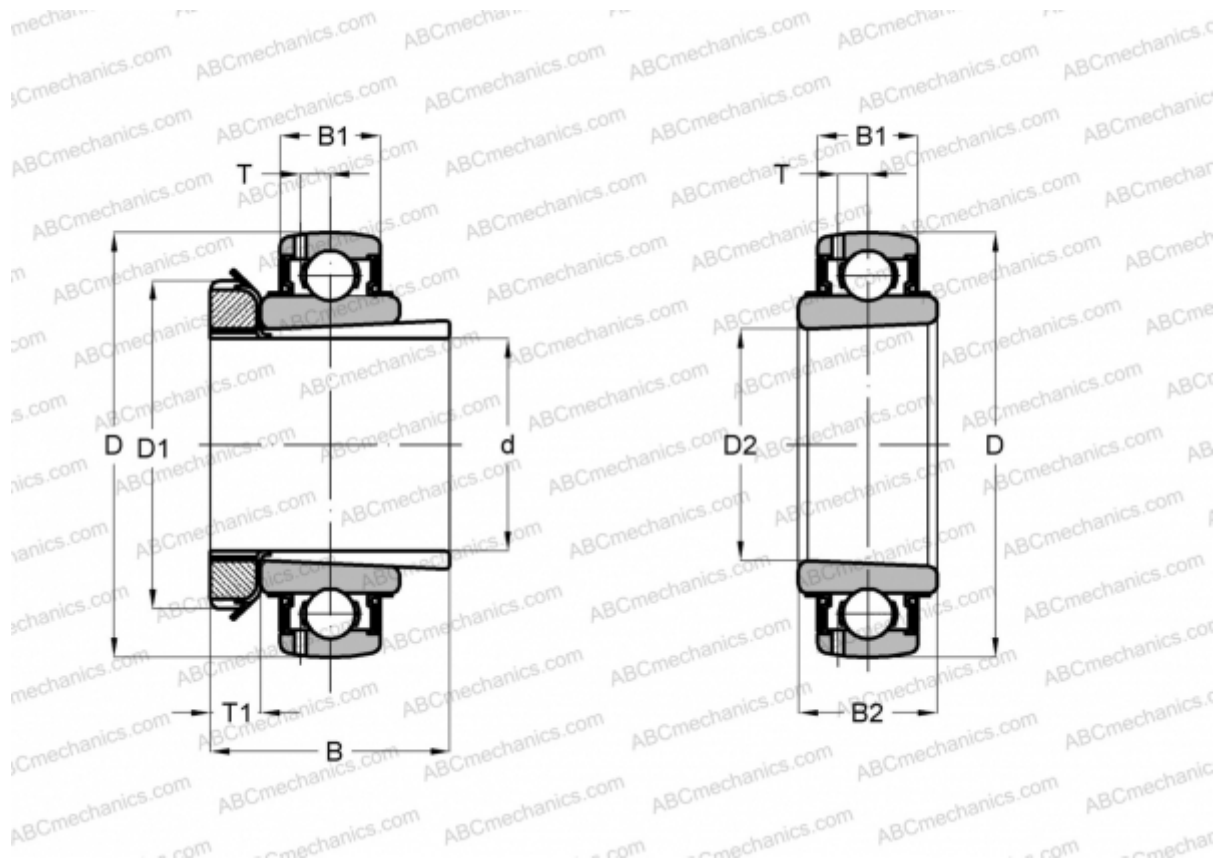


## UK 324 + H2324 ASAHI

Insert bearings

TYPE: Ball bearings, Radial insert bearings, With adapter sleeve, Spherical outer ring, Series UK, seals on both side



### Technical specification

#### DIMENSIONS, MM

d	110,000
D	260,000
D1	155,000
D2	120,000
B	112,000
B1	64,000
B2	86,000
T	22,000
T1	22,000

**WEIGHT, KG** 18,000

**MANUFACTURER** [ASAHI](#)