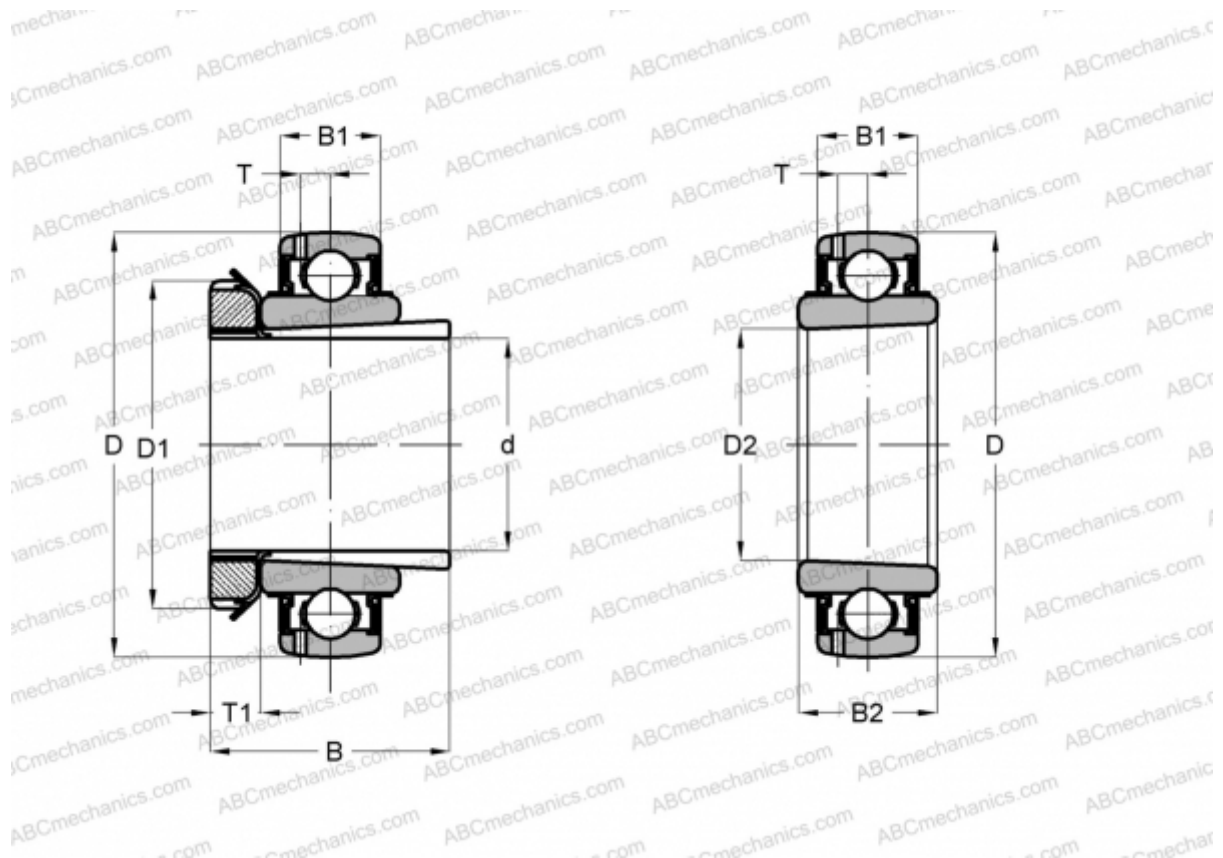


## UK 210 + HA2310 ASAHI

Insert bearings

TYPE: Ball bearings, Radial insert bearings, With adapter sleeve, Spherical outer ring, Series UK, seals on both side, inch size



### Technical specification

#### DIMENSIONS, MM

d	42,862
D	90,000
D1	70,002
D2	50,000
B	54,991
B1	23,012
B2	30,988
T	6,502
T1	11,989

**WEIGHT, KG** 0,930

**MANUFACTURER** [ASAHI](#)