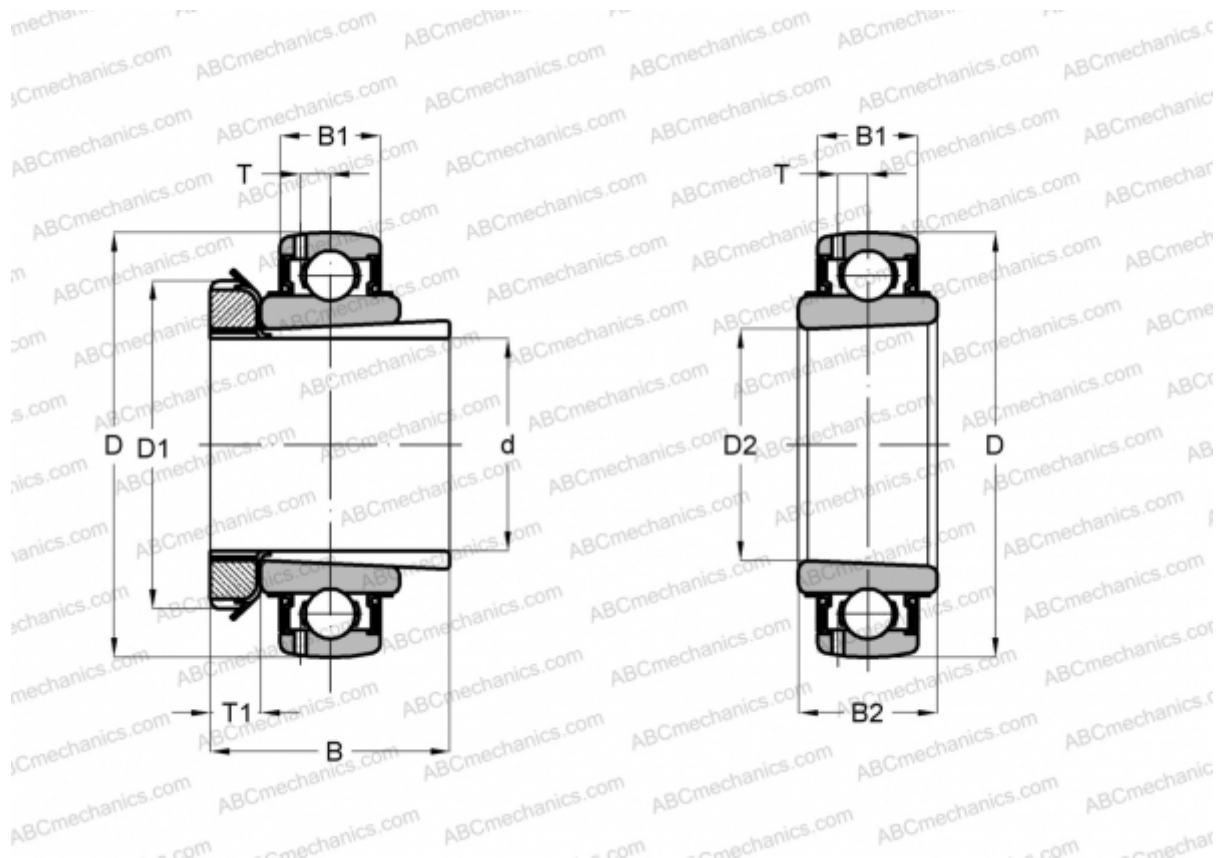


UK 211 + HA2311 ASAHI

Insert bearings

TYPE: Ball bearings, Radial insert bearings, With adapter sleeve, Spherical outer ring, Series UK, seals on both side, inch size



Technical specification

DIMENSIONS, MM

d	49,212
D	100,000
D1	75,006
D2	55,001
B	59,004
B1	24,003
B2	32,995
T	7,290
T1	11,989

WEIGHT, KG 1,161

MANUFACTURER [ASAHI](#)