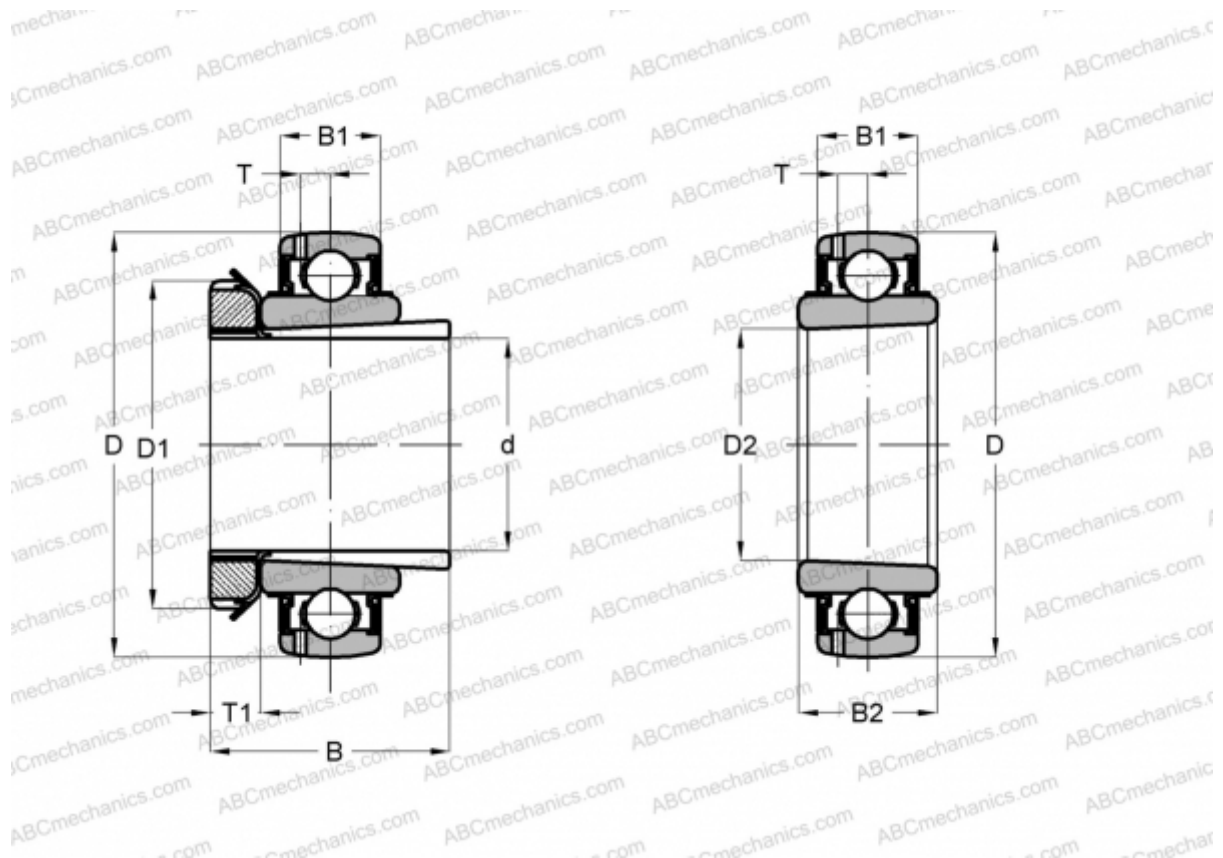


UK 218 + HS2318 ASAHI

Insert bearings

TYPE: Ball bearings, Radial insert bearings, With adapter sleeve, Spherical outer ring, Series UK, seals on both side, inch size



Technical specification

DIMENSIONS, MM

d	79,375
D	160,000
D1	119,990
D2	90,000
B	86,004
B1	35,992
B2	48,997
T	11,100
T1	18,009

WEIGHT, KG 4,677

MANUFACTURER [ASAHI](#)