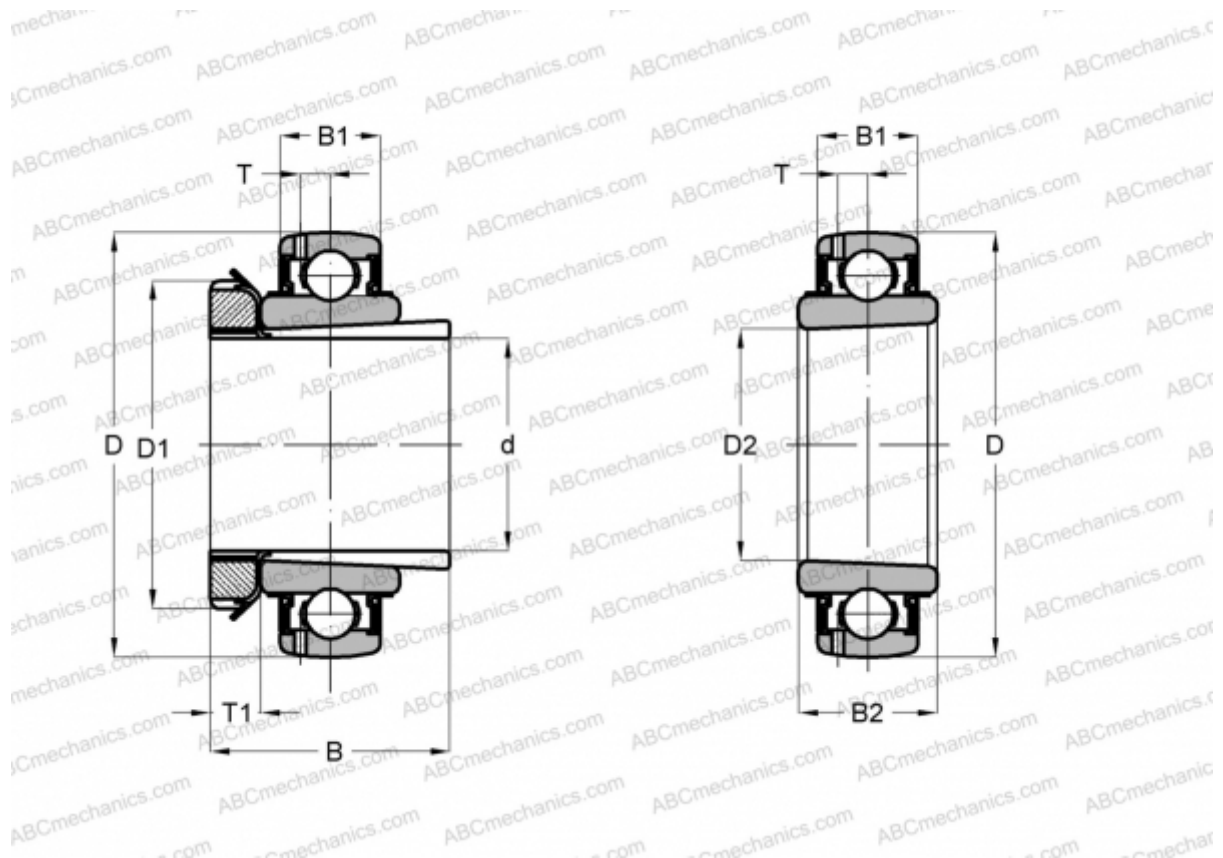


UK 320 + HE2320 ASAHI

Insert bearings

TYPE: Ball bearings, Radial insert bearings, With adapter sleeve, Spherical outer ring, Series UK, seals on both side, inch size



Technical specification

DIMENSIONS, MM

d	88,900
D	215,001
D1	129,997
D2	100,000
B	97,003
B1	54,000
B2	72,009
T	18,009
T1	19,990

WEIGHT, KG 10,796

MANUFACTURER [ASAHI](#)