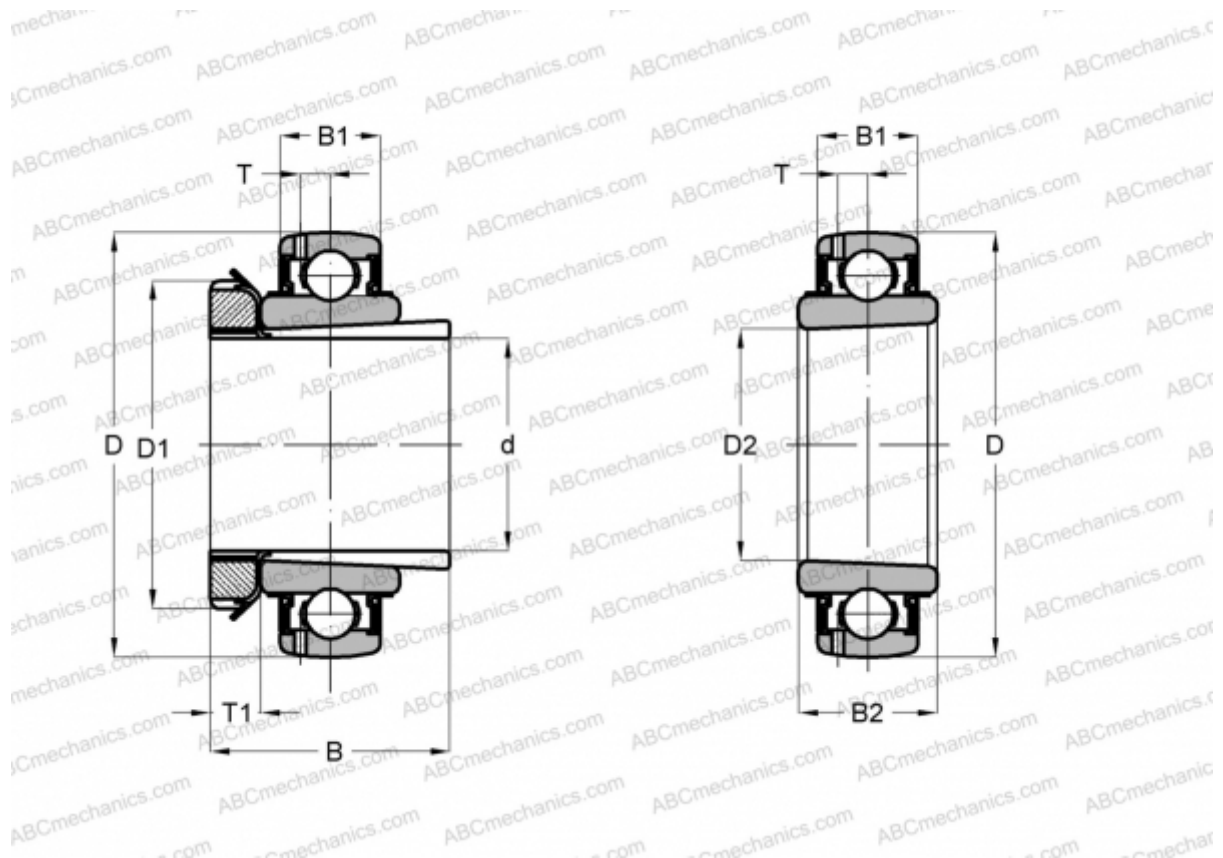


## UK X16 + H2316 ASAHI

Insert bearings

TYPE: Ball bearings, Radial insert bearings, With adapter sleeve, Spherical outer ring, Series UK X, seals on both side



### Technical specification

#### DIMENSIONS, MM

|    |         |
|----|---------|
| d  | 70,000  |
| D  | 150,000 |
| D1 | 105,000 |
| D2 | 80,000  |
| B  | 78,000  |
| B1 | 34,000  |
| B2 | 46,000  |
| T  | 10,500  |
| T1 | 17,000  |

**WEIGHT, KG** 3,860

**MANUFACTURER** [ASAHI](#)