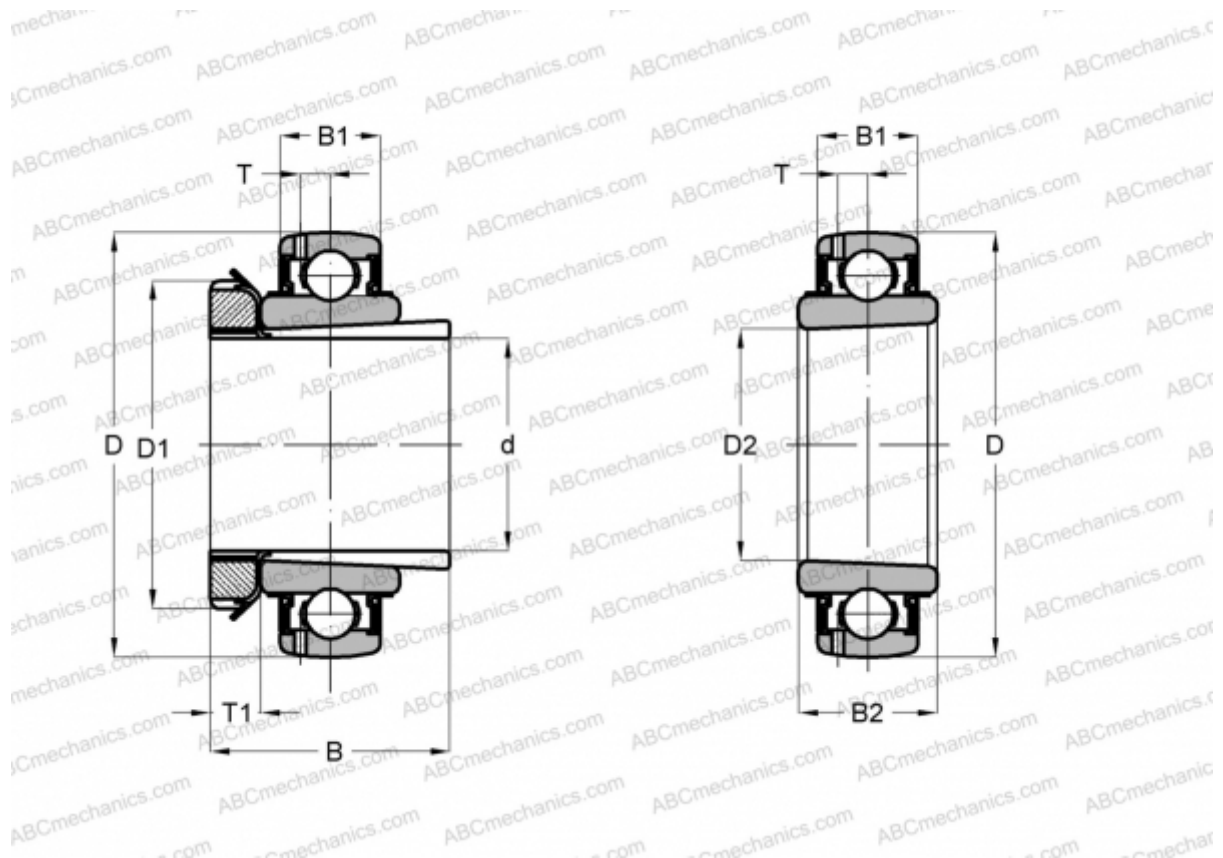


UK X17 + H2317 ASAHI

Insert bearings

TYPE: Ball bearings, Radial insert bearings, With adapter sleeve, Spherical outer ring, Series UK X, seals on both side



Technical specification

DIMENSIONS, MM

d	75,000
D	160,000
D1	110,000
D2	85,000
B	82,000
B1	36,000
B2	49,000
T	11,100
T1	18,000

WEIGHT, KG 4,720

MANUFACTURER [ASAHI](#)