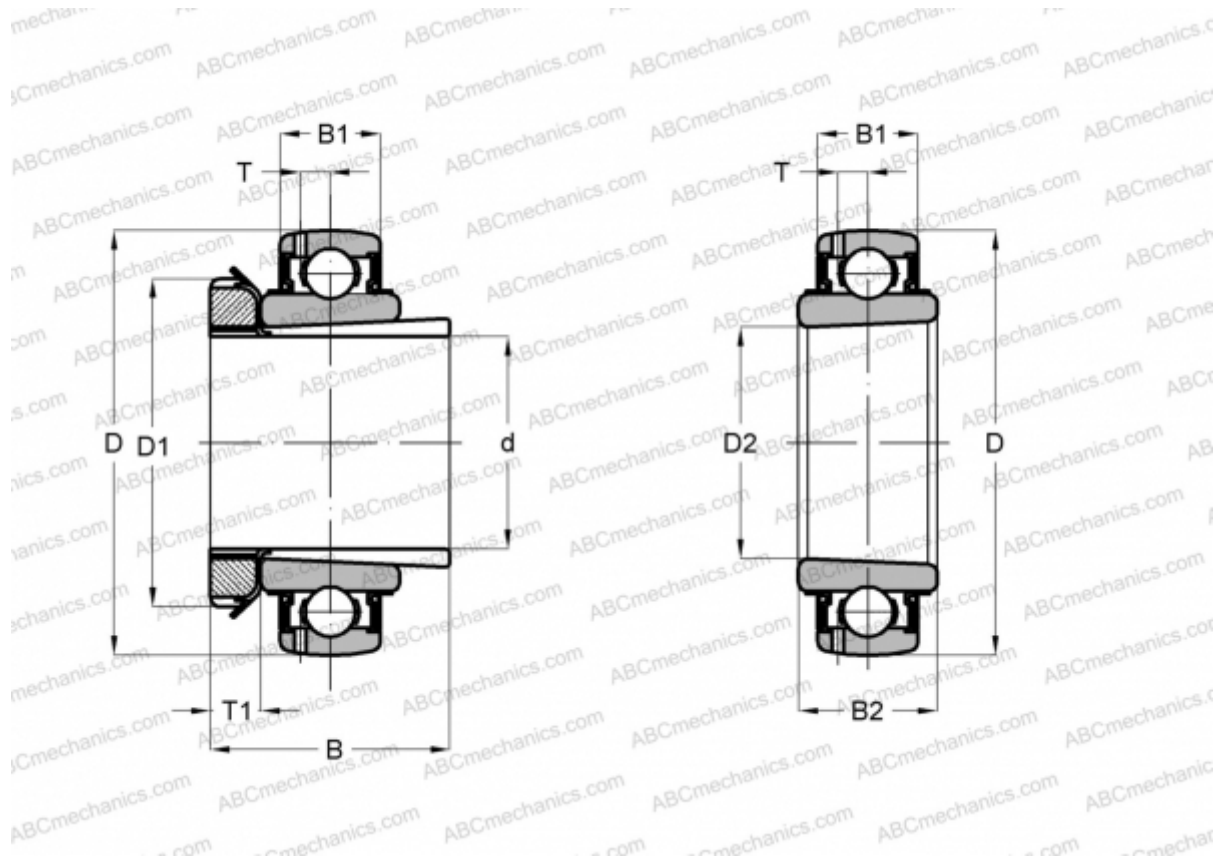


## UK X18 + H2318 ASAHI

Insert bearings

TYPE: Ball bearings, Radial insert bearings, With adapter sleeve, Spherical outer ring, Series UK X, seals on both side



### Technical specification

#### DIMENSIONS, MM

d	80,000
D	170,000
D1	120,000
D2	90,000
B	86,000
B1	38,000
B2	52,000
T	11,900
T1	18,000

**WEIGHT, KG** 5,110

**MANUFACTURER** [ASAHI](#)