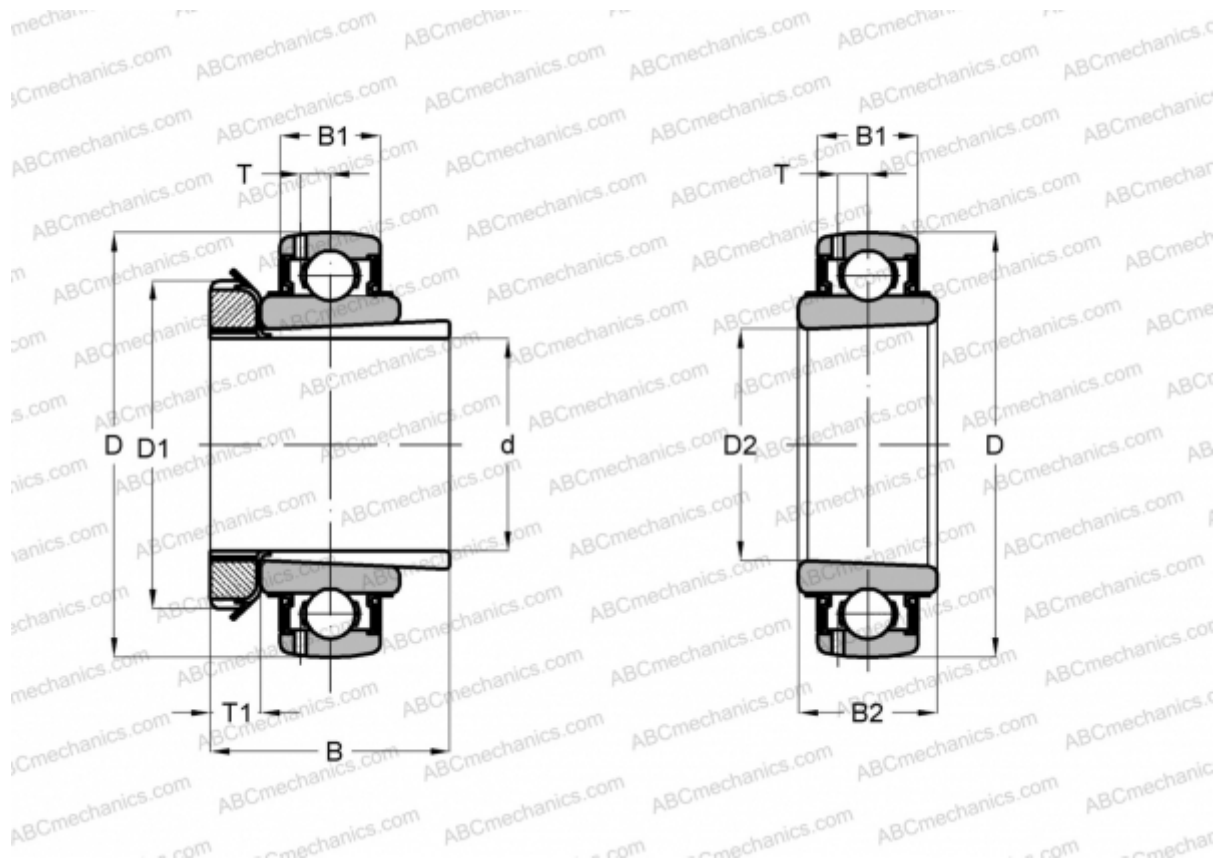


UK X10 + HA2310 ASAHI

Insert bearings

TYPE: Ball bearings, Radial insert bearings, With adapter sleeve, Spherical outer ring, Series UK X, seals on both side, inch size



Technical specification

DIMENSIONS, MM

d	42,862
D	100,000
D1	70,002
D2	50,000
B	54,991
B1	24,003
B2	32,995
T	7,290
T1	11,989

WEIGHT, KG 1,179

MANUFACTURER [ASAHI](#)