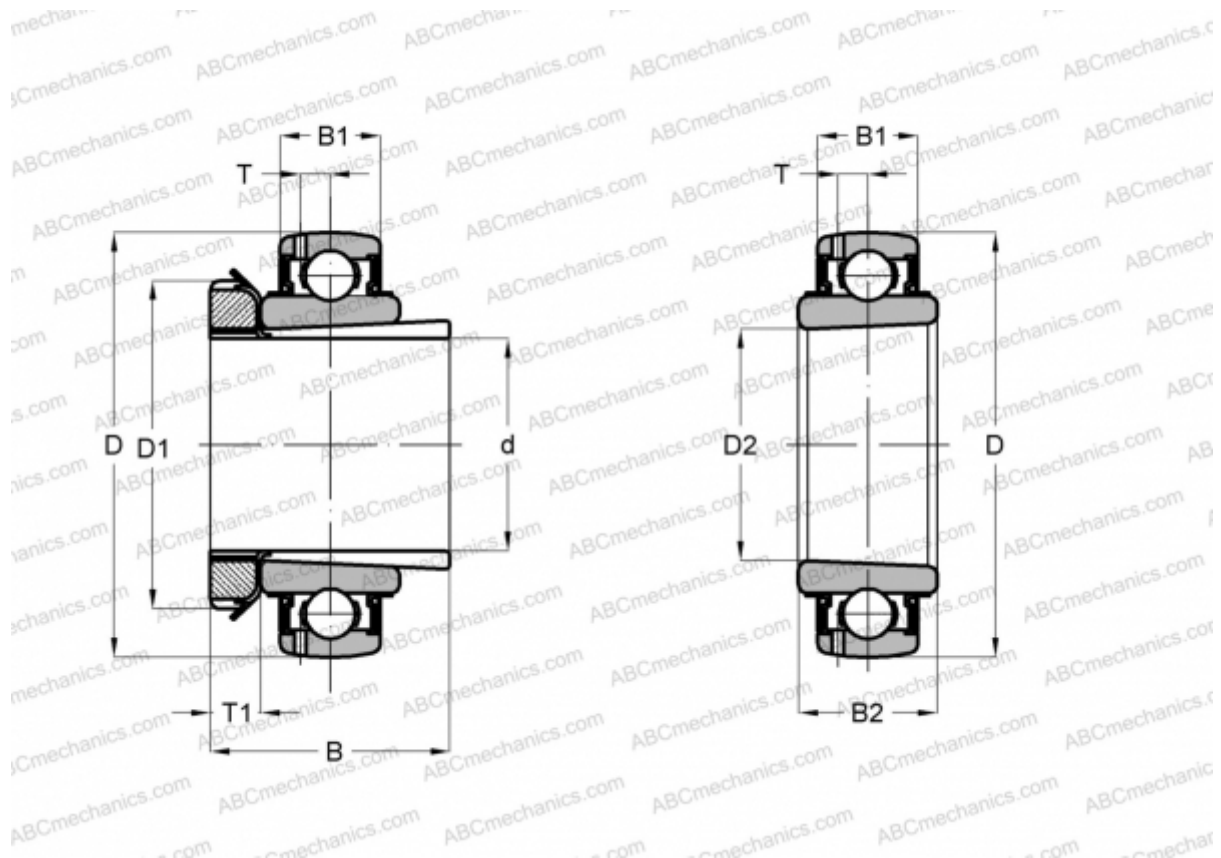


## UK X13 + HA2313 ASAHI

Insert bearings

TYPE: Ball bearings, Radial insert bearings, With adapter sleeve, Spherical outer ring, Series UK X, seals on both side, inch size



### Technical specification

#### DIMENSIONS, MM

d	55,562
D	125,001
D1	84,988
D2	65,001
B	64,999
B1	29,007
B2	40,005
T	8,712
T1	13,995

**WEIGHT, KG** 2,091

**MANUFACTURER** [ASAHI](#)