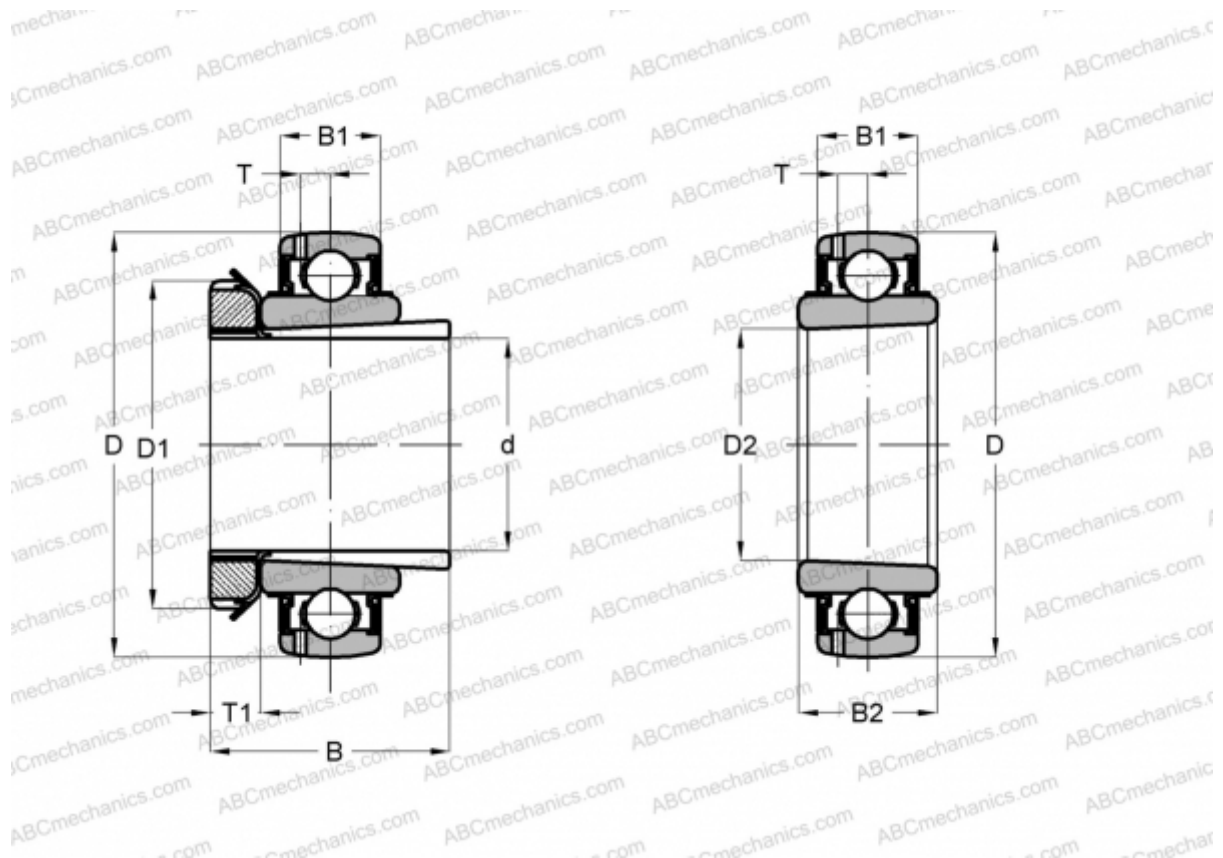


## UK X17 + HE2317 ASAHI

Insert bearings

TYPE: Ball bearings, Radial insert bearings, With adapter sleeve, Spherical outer ring, Series UK X, seals on both side, inch size



### Technical specification

#### DIMENSIONS, MM

d	76,200
D	160,000
D1	110,007
D2	85,001
B	81,991
B1	35,992
B2	48,997
T	11,100
T1	18,009

**WEIGHT, KG** 4,717

**MANUFACTURER** [ASAHI](#)